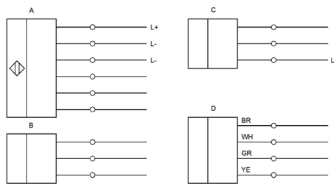


## OI98A965

### TEMPERATURE SENSORS • CONTACTLESS MEASUREMENT (INFRARED)



#### CONNECTION



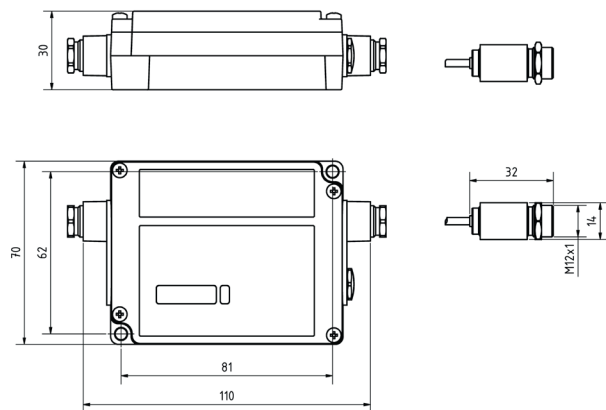
**Colors:** D: BN = (brown), WH = (white), GN = (green), YE = (yellow)

**Functions:** A: L+, L-, L-, OUT-AMB, OUT-TC, OUT-mV/mA

B: F1, F2, F3

C: alarm 2, 3V, L-

#### DIMENSIONAL DRAWING



#### INSTALLATION



Mounting / Installation may only be carried out by a qualified electrician!

#### DISPOSAL



**SAFETY WARNINGS**

Before initial operation, please make sure to follow all safety instructions that may be provided in the product information!