

UT309023

ULTRASONIC SENSORS • DISTANCE MEASUREMENT

sensor ultrasonic, diffuse-reflection sensor, M30x1.5 79long, Sn: 600-6000, 18-30V DC, 0-10V/4-20mA, IO-Link, Connector M12 4pin, IP67, Brass Nickel-plated, Teach-In, With LED display, ultrasonic cone Axial



MECHANICAL FEATURES

Ambient temperature	-25 °C ... 70 °C
Degree of protection (IP)	IP67
Design	Cylinder, screw-thread
Diameter detection	+
Furcate	-
Housing coating	Nickel-plated
Housing material	Brass
Mounting distance	1400 mm
Sensor diameter	45.5 mm
Sensor length	79 mm
Thread length	33.5 mm
Thread pitch	1.5 mm
Thread size, metric	30

ELECTRICAL FEATURES

Absolute repeat accuracy	4 mm
Adjustable distance	600 mm ... 6000 mm
Adjustable measuring range	+
Carrier frequency	80 kHz
Distance measuring sensors	+
Filling level measurement	-
IO-Link compatible	+
Load resistance (current output)	0.4 kOhm
Load resistance (voltage output)	10 kOhm
Measuring range length	100 mm ... 5400 mm
Multiplex connection (switchover by means of IO-Link)	+
No-load current	45 mA
Norm measuring plate	200x200
Number of pins	4
Operating voltage	18 V ... 30 V
Protection class	III
Rated switching current	100 mA
Readiness delay	300 ms

ELECTRICAL FEATURES

Reverse polarity protection	+
Sensing range	600 mm ... 6000 mm
Setting procedure	Teach-In
Setting via teach-in	+
Short-circuit protection	+
Sound cone with small angle of beam spread	-
Sound outlet	Axial
Switching frequency	2 Hz
Switching output (switchover by means of IO-Link)	+
Switching output with window function	-
Synchronization connection (switchover by means of IO-Link)	+
Synchronization input	-
Synchronization possible	-
Teach input (switchover by means of IO-Link)	+
Temperature drift	0.2 %
Type of analog output	0 V ... 10 V / 4 mA ... 20 mA
Type of electrical connection	Connector M12
Voltage type	DC
With LED display	+

OPTICAL FEATURES

Resolution	1 mm
High resolution	-

OTHER FEATURES

Dead zone	600 mm
Level detection	+
Loop control	-
Object detection on conveyor systems	+
Relative linearity deviation	0.5 %
With protective coating	-

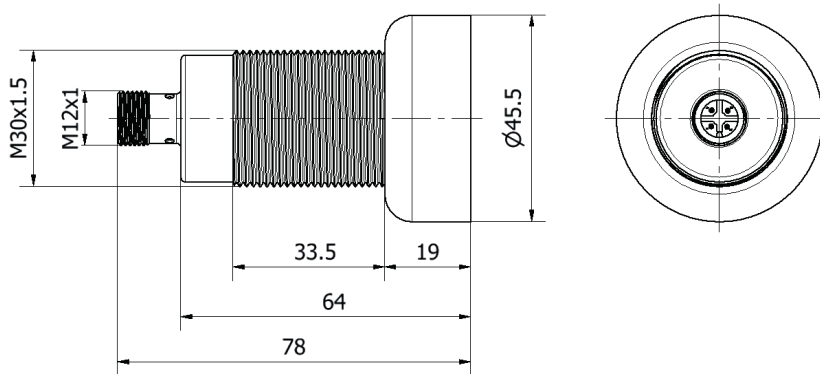
Other

Packaging dimensions	175.0mm x 48.0mm x 155.0mm
Shipping weight	0.19kg
Tariff code	85365019

Classification

ipf product group	259
eClass 8.0	27272803
eClass 9.0	27272803
eClass 9.1	27272803
ETIM-5.0	EC001849
ETIM-6.0	EC001849
ETIM-7.0	EC001849

Connection

Dimensional drawing**Installation**

Mounting / installation may only be carried out by a qualified electrician!

Disposal**Software**

Any software, drivers or IODD files that may be required to operate your device can be downloaded free of charge from our homepage: www.ipf-electronic.com

Safety warnings

Before initial operation, please make sure to follow all safety instructions that may be provided in the product information. Never use these devices in applications where the safety of a person depends on their functionality.

LED lighting systems can generate intensive UV radiation, which can damage your eyes in case of improper use. The manufacturer cannot be held responsible for damages that result from improper use or connection.