

**M8-Round-Plug Connector, Single-Ended Cordsets,  
According to IEC 61976-2-101-E for Robotic Applications**

RSMV | RSMWV

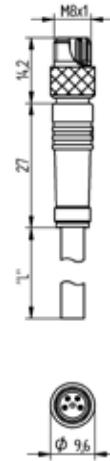


**4-Poles**

Actuator/sensor cordset, single-ended, M8, 4-poles male straight connector with self-locking threaded joint and molded cable.

– especially designed for use in Robotic applications –

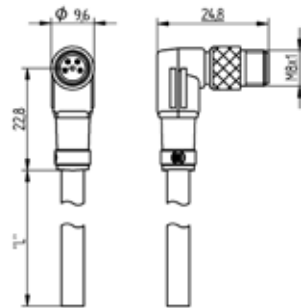
**RSMV**



Actuator/sensor cordset, single-ended, M8, 4-poles male 90° connector with self-locking threaded joint and molded cable.

– especially designed for use in Robotic applications –

**RSMWV**



**Pin Assignments**

**M8**

**4 poles**



- 1 = brown
- 2 = white
- 3 = blue
- 4 = black

# Be Certain with Belden



## M8-Round-Plug Connector, Single-Ended Cordsets, According to IEC 61976-2-101-E for Robotic Applications RSMV 4 | RSMWV 4

### Technical Data

#### Environmental

Degree of protection (IEC 60529)\* IP67, IP68 (15m / 48h & 100m / 2h)  
 Operating temperature range -40°C to +85°C

#### Mechanical

Housing / Molded body TPU - translucent  
 Insert TPU, orange  
 Contact CuZn  
 Contact surface Cu/Au  
 Knurled screw CuZn, nickel-plated

#### Electrical data

Rated voltage 30 V AC/DC  
 Rated current\* 4 A

### Cable Specifications

Cable No.	Outer Jacket	Conductor Size	Jacket Color	OD
500	PUR	22 AWG stranded	black	5.10 mm nominal

Cordsets  
Single-Ended

Part Number	Pins	Outer Jacket	Standard Cable Lengths	Characteristics					
<table border="0"> <tr> <td><b>Male Straight</b></td> <td><b>Male 90°</b></td> <td></td> <td></td> <td></td> </tr> </table>	<b>Male Straight</b>	<b>Male 90°</b>							
<b>Male Straight</b>	<b>Male 90°</b>								
RSMV 4-500/...M	RSMWV 4-500/...M	4	PUR	2 M / 5 M / 10 M / 15 M / 20 M	