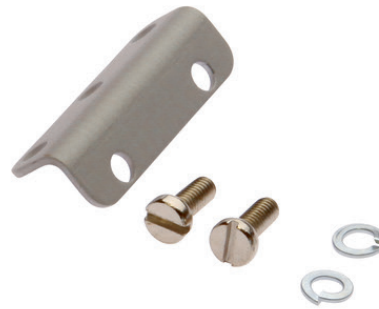


AY000058

ACCESSORIES • MOUNTING



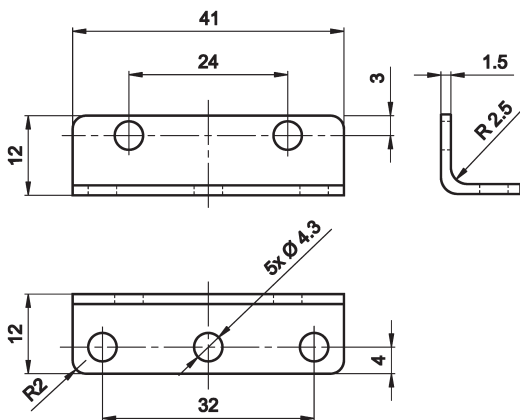
MECHANICAL DATA

| | |
|--------------------------------------------------|------------------------|
| Diameter/width of the fastening holes for sensor | 4.2 mm |
| Height | 12 mm |
| Length | 12 mm |
| Material | Plastic |
| Mounting type | Screw |
| Number of boreholes | 5 |
| Thread pitch | 0.7 mm |
| Thread size, metric | 4 |
| Version | Mounting angle bracket |
| Weight | 6 kg |
| Width | 41 mm |

OTHER DATA

| | |
|-------------------|----------------------------------------|
| Scope of delivery | Mounting material for sensor, brackets |
|-------------------|----------------------------------------|

DIMENSIONAL DRAWING



INSTALLATION

DISPOSAL



Mounting / Installation may only be carried out by a qualified electrician!

**SAFETY WARNINGS**

Before initial operation, please make sure to follow all safety instructions that may be provided in the product information!

Never use these devices in applications where the safety of a person depends on their functionality.