

YN98E105

INCLINATION SENSORS • INCLINATION SENSORS

A rotary encoder is a device that converts a rotary motion into a digital output signal, which can be processed on a subsequent evaluation electronics. All of our encoders operate according to the principle of optical scanning. Inside the device there is a pulse disc on which is – depending on the encoder - a unique (absolute) or repetitive (incremental) line graduation, which is scanned by an optical system. The turning of the encoder shaft causes rotation of the pulse disc, which results in a corresponding sampling signal of the optical system. This is finally implemented by an integrated electronics in encoder-specific output signals (e.g. multi-turn, RS422 etc.). For professional installation in many applications, shaft couplings or resilient bases for mounting brackets or flanges are used. In addition, the encoder shaft can be equipped with measuring wheels or pinions in various designs and sizes. Typical applications include the angle measurement on bending machines, length measuring of belt systems or speed measurement on winding systems.



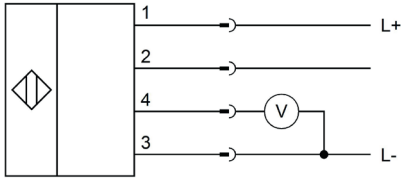
MECHANICAL DATA

Ambient temperature (MAX)	85 °C
Ambient temperature (MIN)	-40 °C
Degree of protection (IP)	IP67
For damp environments	Yes
Housing material	Plastic
Sensor height	75 mm
Sensor length	52.8 mm
Sensor width	22.5 mm
Version	Inclination angle sensor

ELECTRICAL DATA

Load resistance (voltage output)	10 kOhm
No-load current	15 mA
Programmable	No
Supply voltage (MAX)	30 V
Supply voltage (MIN)	11 V
Type of analog output	0 V ... 10 V
Type of electrical connection	Connector M12
Voltage type	DC

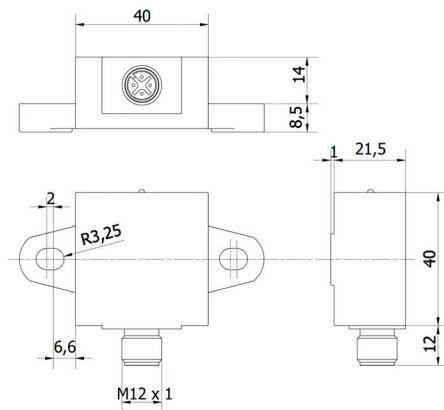
CONNECTION



Colors: 1 = BN (brown), 2 = WH (white), 3 = BU (blue), 4 = BK (black)

Functions: 1 = L+, 2 = n. c., 3 = L-, 4 = 0-10V

DIMENSIONAL DRAWING



INSTALLATION



Mounting / Installation may only be carried out by a qualified electrician!

DISPOSAL



SAFETY WARNINGS

Before initial operation, please make sure to follow all safety instructions that may be provided in the product information!

Never use these devices in applications where the safety of a person depends on their functionality.