

IB189129

INDUCTIVE SENSORS • WELDING-PROOF

sensor inductive, M18x1 65long, Sn: 8, 10-30V DC, -40-85°C, PNP NO, Connector M12 4pin, IP69K, Brass, welding-proof

MECHANICAL FEATURES

Active area material of sensor	LCP
Ambient temperature	-40 °C ... 85 °C
Cable infeed	Axial
Degree of protection (IP)	IP69K
Housing material	Brass
Sensor length	65 mm
Thread length	50 mm
Thread pitch	1 mm
Thread size, metric	18

ELECTRICAL FEATURES

Correction factor (aluminum)	1
Correction factor (brass)	1
Correction factor (copper)	1
Correction factor (St37)	1
Correction factor (stainless steel V2A: 1mm)	1
Correction factor (stainless steel V2A: 2mm)	1
Hysteresis	15 %
Interference resistance to magnetic fields	Immune against magnetic DC-field
Magnetic field resistant	+
No-load current	20 mA
Number of pins	4
Operating voltage	10 V ... 30 V
Rated switching current	100 mA
Short-circuit protection	+
Suitable for safety functions	-
Switching distance	8 mm
Switching frequency	2000 Hz
Type of electrical connection	Connector M12
Type of switching function	Normally open contact
Type of switching output	PNP
Voltage drop	2.5 V
Voltage type	DC

ELECTRICAL FEATURES

With LED display	+
------------------	---

OTHER FEATURES

Welding area	+
--------------	---

Welding-proof sensors	+
-----------------------	---

Other

Packaging dimensions	0.0mm x 0.0mm x 0.0mm
----------------------	-----------------------

Shipping weight	
-----------------	--

Tariff code	85365019
-------------	----------

Classification

ipf product group	207
-------------------	-----

eClass 8.0	27270101
------------	----------

eClass 9.0	27270101
------------	----------

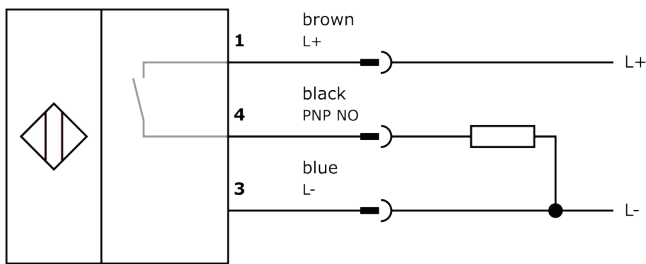
eClass 9.1	27270101
------------	----------

ETIM-5.0	EC002714
----------	----------

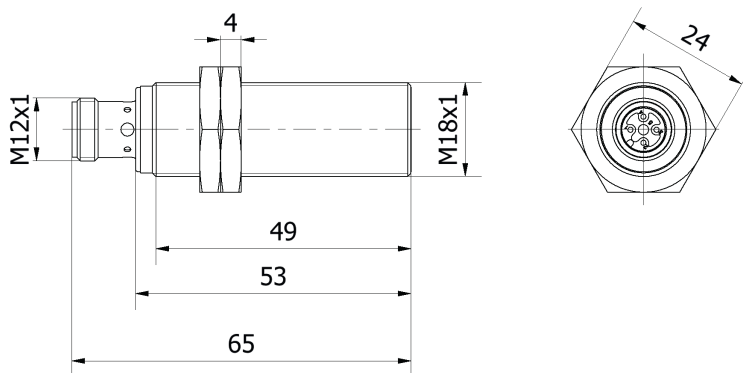
ETIM-6.0	EC002714
----------	----------

ETIM-7.0	EC002714
----------	----------

Connection



Dimensional drawing



Installation



Mounting / installation may only be carried out by a qualified electrician!

Disposal



Safety warnings

Before initial operation, please make sure to follow all safety instructions that may be provided in the product information.

Never use these devices in applications where the safety of a person depends on their functionality.

LED lighting systems can generate intensive UV radiation, which can damage your eyes in case of improper use. The manufacturer cannot be held responsible for damages that result from improper use or connection.