

SL890021**FLOW SENSORS • SENSORS FOR AIR**

sensor flow, , Calorimetric, 109x55x135mm, G1/4 inch, 12-36V DC, 1x Relay contact NO (NO), 4-20mA, Plug-in connection M12 5pin, Plastic PC, Pressure resistance 16bar, With display, Parameterization

MECHANICAL FEATURES

Ambient temperature for evaluation electronics	-20 °C ... 70 °C
Degree of protection (IP) of evaluation electronics	IP65
Design	Cuboid
Height	109.1 mm
Housing material	Plastic PC
Length	55 mm
Measuring range of flow velocity with air	0.18 m/s ... 185 m/s
Medium temperature	-30 °C ... 80 °C
Pressure resistance	16 bar
Sensing element material	Aluminum
Temperature medium	-30 °C ... 80 °C
Type of process connection	G1/4 inch
Width	135 mm

ELECTRICAL FEATURES

Air conditioning / ventilation systems	+
Flow measurement	+
Measuring head integrated in device	+
Measuring principle of flow	Calorimetric
No-load current	140 mA
Number of pins	5
Number of switching outputs	1
Operating voltage	12 V ... 36 V
Pressure resistance of measuring head	16 bar
Rated control supply voltage U_s at DC	12 V ... 36 V
Rated switching current	150 mA
Reverse polarity protection	+
Setting procedure	Parameterization
Short-circuit protection	+
Switching voltage	48 V
Transistor output	+
Type of analog output	4 mA ... 20 mA
Type of electrical connection	Plug-in connection M12

ELECTRICAL FEATURES

Type of switching function	Normally open contact (NO)
Type of switching output	Relay contact
Voltage type	DC
With display	+
With LED display	-

OTHER FEATURES

	IV002153
For pneumatic applications	+
Suitable for gases	+
Suitable for liquids	-

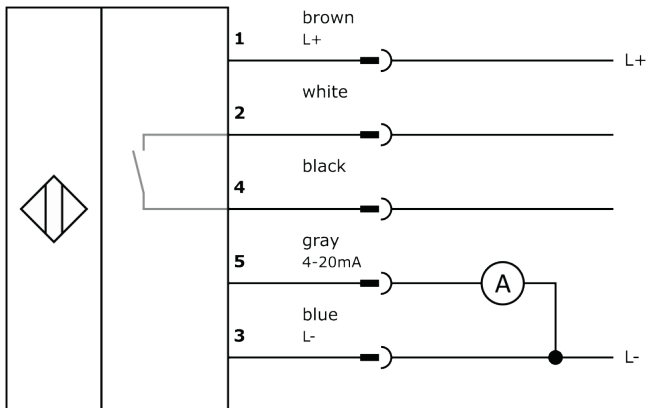
Other

Packaging dimensions	0.0mm x 0.0mm x 0.0mm
Shipping weight	
Tariff code	90268020

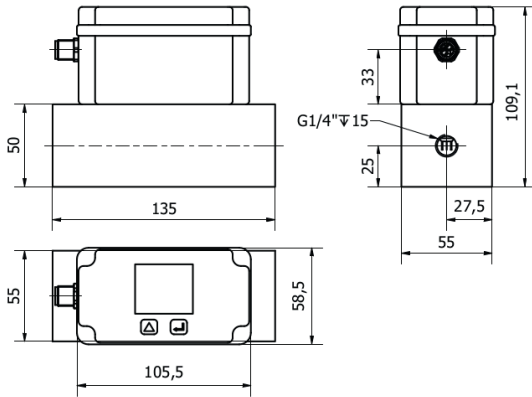
Classification

ipf product group	725
eClass 8.0	27371815
eClass 9.0	27371815
eClass 9.1	27371815
ETIM-5.0	EC002580
ETIM-6.0	EC002580
ETIM-7.0	EC002580

Connection



Dimensional drawing



Installation



Mounting / installation may only be carried out by a qualified electrician!

Disposal



Software

Any software, drivers or IODD files that may be required to operate your device can be downloaded free of charge from our homepage: www.ipf-electronic.com

Safety warnings

Before initial operation, please make sure to follow all safety instructions that may be provided in the product information. Never use these devices in applications where the safety of a person depends on their functionality.

LED lighting systems can generate intensive UV radiation, which can damage your eyes in case of improper use. The manufacturer cannot be held responsible for damages that result from improper use or connection.