

OY98E061

OPTICAL SENSORS • LIGHT BARRIERS

The multi-function light barriers are through-beam sensors where multiple beams are integrated. In case of interruption of only one beam, the switching output of the receiver changes its state. The devices are used where standard through-beam sensors with only one beam are not sufficient. There are devices with beam spacing of 20, 40, 60 or 120mm and different heights available. An integrated fuzzy logic controls the transmitting power automatically.



MECHANICAL DATA

Ambient temperature (MAX)	50 °C
Ambient temperature (MIN)	0 °C
Degree of protection (IP)	IP65
Housing material	Aluminium
Material of optical surface	PMMA
Protected field height	100 mm
Sensor height	129.1 mm
Sensor length	43.2 mm
Sensor width	22 mm

ELECTRICAL DATA

Cascadable	No
Clock control possible	No
Equipment protection class	Protection class 3
Max. output current	100 mA
No-load current, receiver	40 mA
No-load current, transmitter	150 mA
Number of pins, receiver	5
Number of pins, transmitter	4
Number of semiconductor outputs with signaling function	1
Override possible	No
Rated control supply voltage U_s at DC (MAX)	27.6 V
Rated control supply voltage U_s at DC (MIN)	20.4 V
Reaction time	1.75 ms
Reverse polarity protection	Yes
Short-circuit-proof	Yes
Suitable for safety functions	No
Suppression possible	No
Type of electrical connection	Connector M12
Type of switching function	Normally open contact (NO)
Type of switching output	PNP

ELECTRICAL DATA

Voltage type	DC
With monitoring function of downstream devices	No
With muting function	No
With restart lock	No

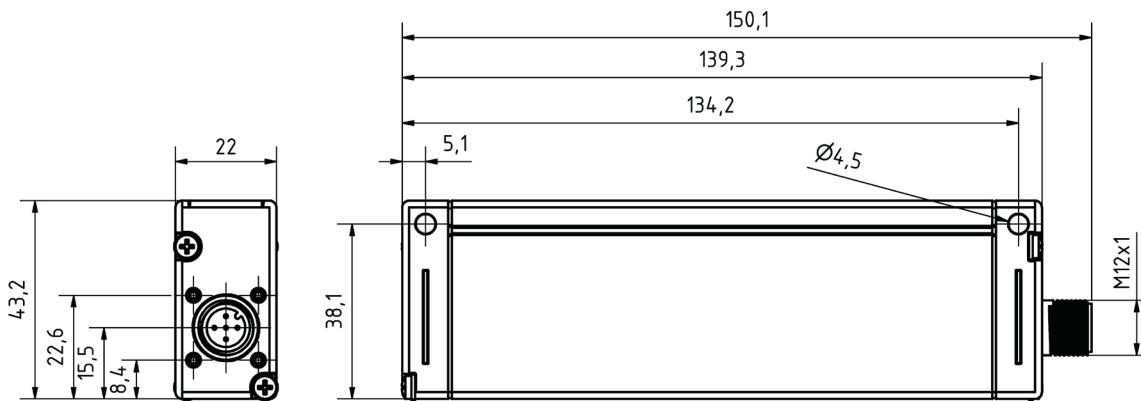
OPTICAL DATA

Beam spacing	20 mm
Min. distance	0.3 m
Number of beams	6
Protected field range	2.1 m
Resolution of the light curtain	18 mm
Wavelength of the sensor	880 nm

OTHER DATA

Air humidity	95 %
Air humidity	15 %
Explosion protection category for dust	None
Explosion protection category for gas	None
Scope of delivery of the one-way system	Transmitter and receiver
With beam coding	No

DIMENSIONAL DRAWING



INSTALLATION



Mounting / Installation may only be carried out by a qualified electrician!

DISPOSAL



SAFETY WARNINGS

Before initial operation, please make sure to follow all safety instructions that may be provided in the product information!

LED lighting systems can generate very intense radiation, which, if used improperly, can possibly damage the eyes. For damage caused by improper use or connection, the manufacturer cannot be held responsible.

Never use these devices in applications where the safety of a person depends on their functionality.