

AO000111

ACCESSORIES • DEFLECTION MIRRORS



MECHANICAL FEATURES

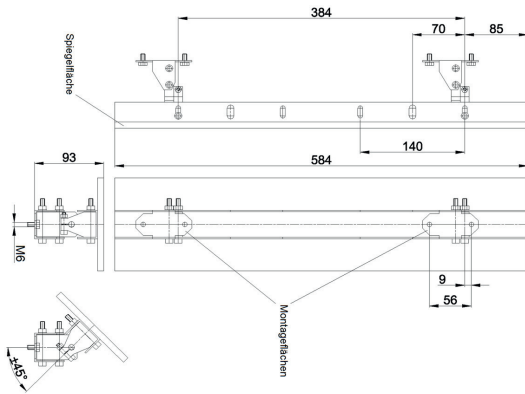
Height	550 mm
Type of accessory	Deflection mirror
Other	
Packaging dimensions	180mm x 100mm x 765.0mm
Shipping weight	3.21kg
Tariff code	85389099

Classification

ipf product group	710
eClass 8.0	27279207
eClass 9.0	27273605
eClass 9.1	27273605
ETIM-5.0	EC002783
ETIM-6.0	EC002783
ETIM-7.0	EC002783

Connection

Dimensional drawing



Installation



Mounting / installation may only be carried out by a qualified electrician!

Disposal



Software

Please download the software or driver required for operating your new device on our homepage: www.ipf.de

Safety warnings

Before initial operation, please make sure to follow all safety instructions that may be provided in the product information. Never use these devices in applications where the safety of a person depends on their functionality. LED lighting systems can generate intensive UV radiation, which can damage your eyes in case of improper use. The manufacturer cannot be held responsible for damages that result from improper use or connection.