

VY000006

MISCELLANEOUS • PWM MODULES

LED lights are required in nearly every industrial sector. A lighting coordinated on the respective workplace ensures a better visibility, increases the production quality, the working safety and helps additionally to save energy costs. Their long lifetime, which is independent of switching cycles, reduces maintenance costs and increases the availability. LED lights are used for the illumination of workplaces, work areas of machines, control cabinets and several other fields of application.



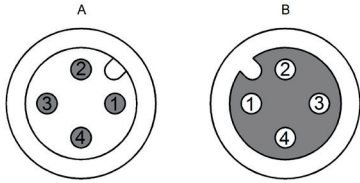
MECHANICAL DATA

| | |
|-------------------------------|---------|
| Ambient temperature (MAX) | 40 °C |
| Degree of protection (IP) | IP40 |
| Depth | 55 mm |
| Height | 120 mm |
| Housing material | Plastic |
| Length | 120 mm |
| Rail mounting possible | Yes |
| Wall/direct mounting possible | No |
| Width | 80 mm |

ELECTRICAL DATA

| | |
|--|--------------------|
| Max. output current | 4000 mA |
| No-load current | 10 mA |
| Number of channels | 2 |
| Rated control supply voltage U_s at DC (MAX) | 24 V |
| Rated control supply voltage U_s at DC (MIN) | 24 V |
| Reverse polarity protection | Yes |
| Short-circuit-proof | Yes |
| Supply voltage (MAX) | 24 V |
| Supply voltage (MIN) | 24 V |
| Type of electrical connection | Plug-in connection |
| Type of input voltage | DC |
| Voltage type for actuation | DC |
| With detachable clamps | No |

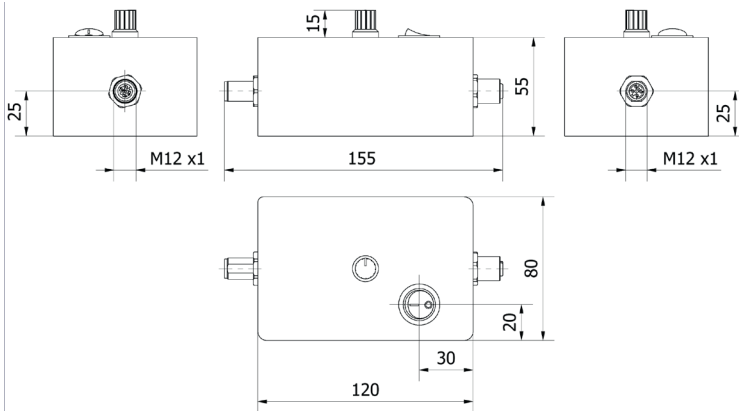
CONNECTION



Colors: 1 = BN (brown), 2 = WH (white), 3 = BU (blue), 4 = BK (black)

Functions: 1 = L+, 2 = n. c., 3 = L-, 4 = n. c.

DIMENSIONAL DRAWING



INSTALLATION



Mounting / Installation may only be carried out by a qualified electrician!

DISPOSAL



SAFETY WARNINGS

Before initial operation, please make sure to follow all safety instructions that may be provided in the product information!

Never use these devices in applications where the safety of a person depends on their functionality.