

AM000022

ACCESSORIES • MOUNTING



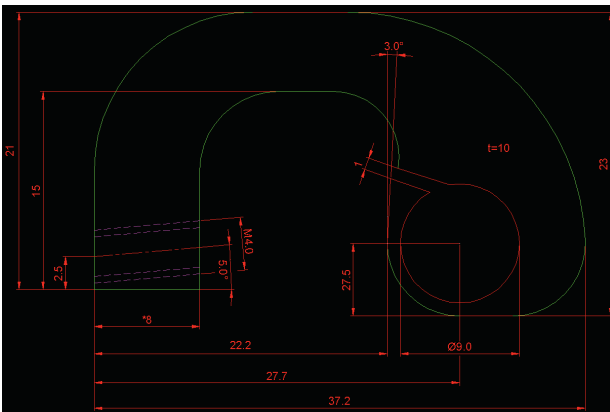
MECHANICAL DATA

Diameter (MAX)	14 mm
Diameter (MIN)	14 mm
For sensor	MZR9
Height	22.7 mm
Length	37.2 mm
Material	Zinc
Mounting type	Screw mounting
Nominal diameter	14 mm
To fix to	Cylinder, cylinder rail
Width	10 mm

OTHER DATA

Suitable for fire protection areas	No
------------------------------------	----

DIMENSIONAL DRAWING



INSTALLATION

DISPOSAL



Mounting / Installation may only be carried out by a qualified electrician!

**SAFETY WARNINGS**

Before initial operation, please make sure to follow all safety instructions that may be provided in the product information!

Never use these devices in applications where the safety of a person depends on their functionality.