

IB445120
INDUCTIVE SENSORS • NORM SWITCHING DISTANCE

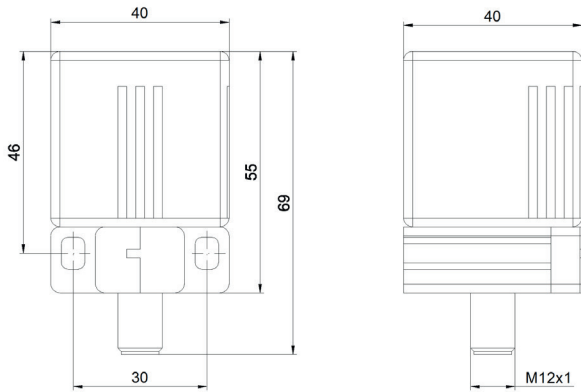
Inductive proximity switches are contact-free sensors. They detect all conductive metals, regardless of whether they move or not. The achievable sensing range of the devices depends on the object material and its dimensions. The vibration-resistant sensors can be approached laterally or frontally. Inductive proximity switches are used for presence detection (e.g. goods carriers), positioning (e.g. dampers), counting (e.g. nuts /bolts), speed detection (e.g. for cog wheels), on conveyor systems (e.g. hose feedings) or distance measurements (e.g. press-in checking) of metallic objects.

MECHANICAL DATA

Active area material of sensor	PBTP
Ambient temperature	-25 °C ... 85 °C
Degree of protection (IP)	IP67
Housing design	Cuboid
Housing material	PBTP
Increased ambient temperatures > 80°C	Yes
Mechanical mounting condition for sensor	Flush
Number of wires	2
Pressure-proof	No
Sensor height	40 mm
Sensor length	55 mm
Sensor width	40 mm

ELECTRICAL DATA

Cascadable	No
Hysteresis	15 %
IO-Link compatible	No
Max. output current	300 mA
Suitable for safety functions	No
Supply voltage	20 V ... 265 V
Switching distance	15 mm
Switching frequency	25 Hz
Type of electrical connection	Connector M12
Type of switching function	Normally open contact
Type of switching output	Two-wire
Voltage drop	8 V
Voltage type	AC/DC
With monitoring function of downstream devices	No

DIMENSIONAL DRAWING**INSTALLATION**

Mounting / Installation may only be carried out by a qualified electrician!

DISPOSAL**SAFETY WARNINGS**

Before initial operation, please make sure to follow all safety instructions that may be provided in the product information!