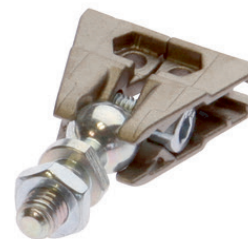


**AY000088**  
**ACCESSORIES • MOUNTING**



### MECHANICAL FEATURES

Has ball joint	+
Housing material	Metal
Type of mechanical accessories	Fixture kit

### Other

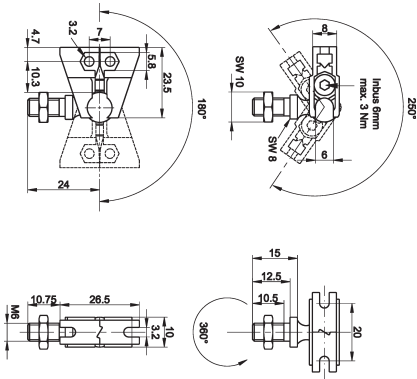
Packaging dimensions	100mm x 10mm x 144.0mm
Shipping weight	0.03kg
Tariff code	73269098

### Classification

ipf product group	900
eClass 8.0	27279202
eClass 9.0	27273701
eClass 9.1	27273701
ETIM-5.0	EC002024
ETIM-6.0	EC002024
ETIM-7.0	EC002024

### Connection

## Dimensional drawing



## Installation



Mounting / installation may only be carried out by a qualified electrician!

## Disposal



## Software

Please download the software or driver required for operating your new device on our homepage: [www.ipf.de](http://www.ipf.de)

## Safety warnings

Before initial operation, please make sure to follow all safety instructions that may be provided in the product information. Never use these devices in applications where the safety of a person depends on their functionality. LED lighting systems can generate intensive UV radiation, which can damage your eyes in case of improper use. The manufacturer cannot be held responsible for damages that result from improper use or connection.