

VK003Y29

CONNECTION TECHNOLOGY • CABLE SOCKETS FIELD-ATTACHABLE

ipf cable sockets are used primarily for establishing the electrical connection of sensors. Their features are characterized by rugged design, the highest protection classes (IP67 | IP68 | IP69K) and, if desired, with 360° shielding. With the features: bus-ready, suitable for use with drag chains and robots, resistance to oil and chemicals, resistance to welding sparks, their resistance to cleaning agents or high-pressure and steam-jet cleaning, the expanded temperature range of up to +230°C, the rapid interconnection technology and special data transmission properties, the cable sockets meet all requirements in automation technology.



MECHANICAL DATA

Ambient temperature (MAX)	85 °C
Ambient temperature (MIN)	-40 °C
Contact body material	CuZn
Contact coating material	Gold
Degree of protection (IP)	IP67
Housing material	Zinc die-cast
Positioning of cable feed, housing side	Straight
Wire cross section	0.75 mm ²

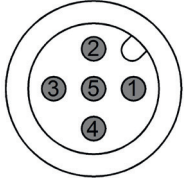
ELECTRICAL DATA

Flow resistance	3 mOhm
Number of pins	5
Rated current I _n	4 A
Rated voltage	60 V
Shielded	Yes
Suitable for self-assembly	Yes
Type of electrical connection, housing side	M12
Type of plug-in contact, housing side	Male (plug)
With LED display	No

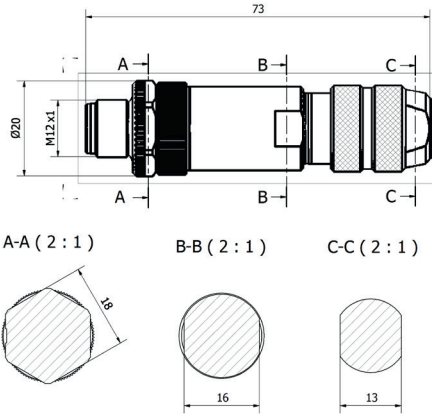
OTHER DATA

Flame resistant	No
Halogen-free	No
IR-networked	No

CONNECTION



DIMENSIONAL DRAWING



INSTALLATION



Mounting / Installation may only be carried out by a qualified electrician!

DISPOSAL



SAFETY WARNINGS

Before initial operation, please make sure to follow all safety instructions that may be provided in the product information!

Never use these devices in applications where the safety of a person depends on their functionality.