

AM000023

ACCESSORIES • MOUNTING



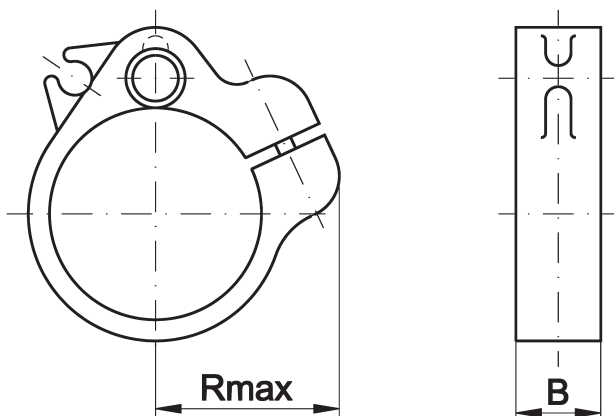
MECHANICAL DATA

For sensor	MZR9
Material	Plastic
Mounting type	Screw mounting
Nominal diameter	35 mm
To fix to	Cylinder, 35round
Width	10 mm

OTHER DATA

Suitable for fire protection areas	No
------------------------------------	----

DIMENSIONAL DRAWING



INSTALLATION



Mounting / Installation may only be carried out by a qualified electrician!

DISPOSAL



SAFETY WARNINGS

Before initial operation, please make sure to follow all safety instructions that may be provided in the product information!

Never use these devices in applications where the safety of a person depends on their functionality.