

OI98C351

TEMPERATURE SENSORS • CONTACTLESS MEASUREMENT (INFRARED)



MECHANICAL DATA

Cable length of measuring head	3 m
Degree of protection (IP)	IP65
Housing material	Stainless steel
Measurement of material humidity	No
Sensor diameter	14 mm

ELECTRICAL DATA

Data logging possible	Yes
Display	Digital
Infrared measurement	Yes
Interface	No
Interface possible	Yes
Max. output current	400 mA
Measured value memory	No
Measurement of differential temperature	No
Measurement of rel. air humidity	No
Measuring range (MAX)	1800 °C
Measuring range (MIN)	385 °C
Multiple display	No
No-load current	100 mA
Operating voltage (MAX)	36 V
Operating voltage (MIN)	8 V
Programmable via software	Yes
Relative repeat accuracy	0.5 %
Response time	150 ms
Separate sensor	No
Setting procedure	Parameterization
Temperature drift	0.05 %
Thermocouple RTD	No
Type B thermocouple	No
Type E thermocouple	No

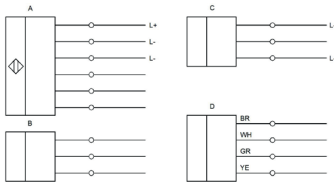
ELECTRICAL DATA

Type J thermocouple	Yes
Type K thermocouple	Yes
Type N thermocouple	No
Type of analog output	0 / 4 ... 20 mA, 0 ... 5 / 10 V
Type of electrical connection	Clamp
Type of switching function	Normally open contact (NO)
Type of switching output	NPN
Type R thermocouple	No
Type S thermocouple	No
Type T thermocouple	No
Voltage type	DC
With LED display	Yes

OPTICAL DATA

Ratio (D:S)	3,1256944444
Small measuring spot	Yes
Spectral sensitivity (MAX)	1.6 μm
Spectral sensitivity (MIN)	1.6 μm

CONNECTION



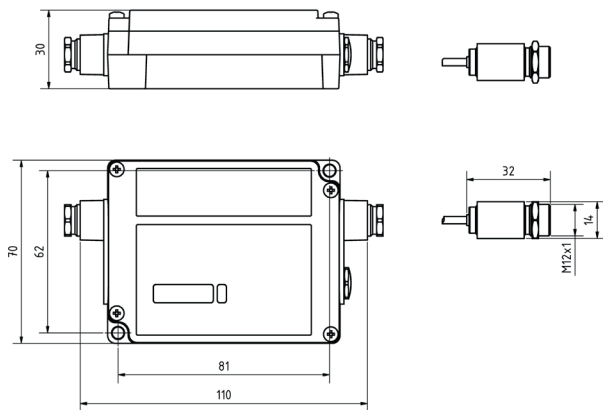
Colors: D: BN = (brown), WH = (white), GN = (green), YE = (yellow)

Functions: A: L+, L-, L-, AL2, OUT-TC, OUT-mV/mA

B: F1, F2, F3

C: L-, 3V, L-

DIMENSIONAL DRAWING



INSTALLATION

DISPOSAL



Mounting / Installation may only be carried out by a qualified electrician!



SAFETY WARNINGS

Before initial operation, please make sure to follow all safety instructions that may be provided in the product information!

Never use these devices in applications where the safety of a person depends on their functionality.