

## AO000326

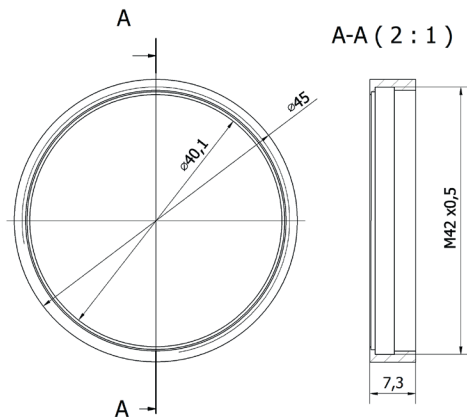
### ACCESSORIES • MOUNTING



#### MECHANICAL DATA

Color	Black
Diameter	20 mm
Type of accessories	Adapter ring

#### DIMENSIONAL DRAWING



#### INSTALLATION



Mounting / Installation may only be carried out by a qualified electrician!

#### DISPOSAL



#### SAFETY WARNINGS

Before initial operation, please make sure to follow all safety instructions that may be provided in the product information!

Never use these devices in applications where the safety of a person depends on their functionality.