

**M8-Round-Plug Connector, Single-Ended Cordsets,  
According to IEC 61976-2-104**

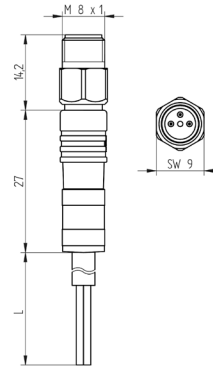
WRSMV | WRSMWV



**3- and 4-Poles**

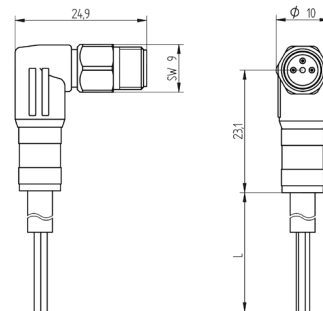
Actuator/sensor cord set, single ended, straight  
M8 male connector and molded cable, hexagon  
screw in stainless steel, 3 and 4 poles.  
– especially designed for use in  
wash-down applications –  
Actuator/sensor cord set, single ended, right-

**WRSMV**



angle M8 male connector and molded cable,  
hexagon screw in stainless steel, 3 and 4 poles.  
– especially designed for use in  
wash-down applications –

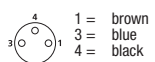
**WRSMWV**



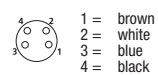
**Pin Assignments**

**M8**

**3 poles**



**4 poles**



# Be Certain with Belden

## M8-Round-Plug Connector, Single-Ended Cordsets, According to IEC 61976-2-104 WRSMV | WRSMWV

### Technical Data

#### Environmental

Degree of protection (IEC 60529) IP67 / IP68 / IP69K  
 Operating temperature range -40°C (-40°F) / +105°C (+221°F)

#### Mechanical

Housing / Molded body PP, white  
 Insert PP, white  
 Contact CuSn  
 Contact surface Cu/Au  
 Hexagon screw Stainless Steel (V4A)  
 O-ring EPDM

#### Electrical data

Contact resistance  $\leq 5 \text{ m}\Omega$   
 Rated current 4 A  
 Rated voltage 3-pole: 60 V  
 4-pole: 30 V  
 Rated impulse voltage 3 pole: 1.5 kV  
 4 pole: 0.8 kV  
 Insulation resistance  $> 10^9 \Omega$

#### Approvals

UL pending, UL-file no. E315587  
 ECOLAB UL-temperature range +65°C

#### Cable Specifications

Cable No.	Outer Jacket	Conductor Size	Jacket Color	OD
520	TPE	3x0,25 mm <sup>2</sup>	Orange	Ø 4,3 ± 0,2 mm
521	TPE	4x0,25 mm <sup>2</sup>	Orange	Ø 4,7 ± 0,2 mm

Part Number		Pins	Outer Jacket	Standard Cable Lengths	Characteristics
WRSMV 3-520/...M	WRSMWV 3-520/...M	3	TPE	2 M   5 M   10 M   15 M   20 M   25 M	  
WRSMV 4-521/...M	WRSMWV 4-521/...M	4	TPE	2 M   5 M   10 M   15 M   20 M   25 M	  