

PAX-332 4K

32" 4K Surgical Monitor



Features

- True Flat Design with AR Filter
- High Brightness and High Contrast Ratio
- 4K UHD Resolution (3840 x 2160)
- HDMI 2.0, DP 1.2 Support Up to 3840 x 2160 @ 60 Hz
- SDI Support Up to 3840 x 2160 @ 60 Hz (4K SDI 3G x 4)
- DVI Support Up to 3840 x 2160 @ 30 Hz
- Video Enhancement features including:
 - 14-bit LUT processing
 - DICOM Part 14 GSDF Compliant
 - DICOM, Clear, Blue modes support
- Optional upgrade to IP-based monitor with AVAS



Introduction

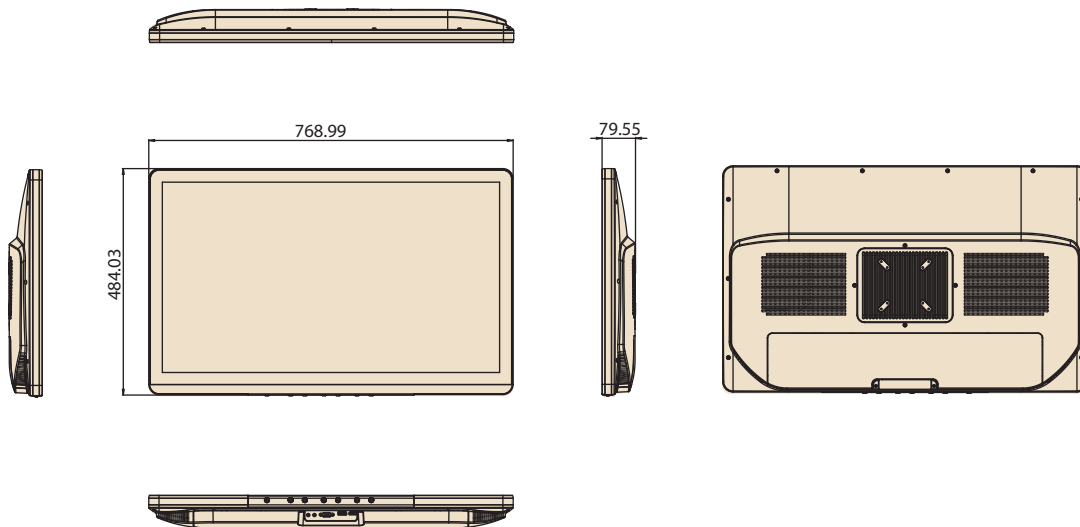
PAX-3 series are medical certified displays for use in operating room imaging applications such as endoscopy, laparoscopy and other imaging modalities. With multiple I/O and support for 14-bit look up table, DICOM and gamma calibrations ensure accurate and precise image reproduction.

Specifications

		PAX-332-C8A-HAS PAX-332-C8A-HAR PAX-332-C8E-HAS PAX-332-C8E-HAR PAX-332-C8E-HAZ PAX-332-C8D-HAS PAX-332-C8D-HAR PAX-332-C8F-HAS PAX-332-C8J-HAS	PAX-332-C8A-NAS PAX-332-C8A-NAR PAX-332-C8E-NAS PAX-332-C8E-NAR PAX-332-C8D-NAS PAX-332-C8D-NAR PAX-332-C8F-NAS PAX-332-C8L-NAS PAX-332-C8L-NAR
LCD	Screen Size	32" (708.48 x 398.52 mm)	32" (708.48 x 398.52 mm) / 31.5" (697.3056 x 392.2344 mm)
	Resolution	3840 x 2160	
	Aspect Ratio	16 : 9	
	Pixel Pitch	0.1845 x 0.1845 mm	0.1845 x 0.1845 mm / 0.18159 x 0.18159 mm
	Viewing Angle	178° / 178°	
	Contrast Ratio (Typ.)	1,350 : 1 / 1,500 : 1	1,000 : 1
	Native Luminance (Typ.)	700 cd/m ² / 850 cd/m ²	350 cd/m ²
	Color Depth	10-bit 1.07B Colors	
	Display Mode	AHVA	MVA / ADS
	Response Time	18ms (Tr+Tf)	12ms (G to G) / 14ms (G to G)
Backlight	LED		
Input	HDMI 2.0 Input	HDMI Jack x 1 (Type A)	Digital RGB: TMDS, 3840 x 2160 @ 60 Hz max.
	DVI Input	DVI Jack x 1 (Type D)	Digital RGB: TMDS, 3840 x 2160 @ 30 Hz max.
	USB Up	USB-B Jack x 1	For Optional Touchscreen
	RS-232C	D-Sub Jack x 1	Service Port
	DP 1.2 Input	DP Jack x 1	DisplayPort 1.2, 3840 x 2160 @ 60 Hz max.
	Optional Input	AVAS NDCoder	SFP+ Module x 1 LAN RJ-45 Jack x 1
SDI Quad 3G Input		BNC Jack x 4	PAX-332-C8D-HAS, PAX-332-C8D-HAR, PAX-332-C8F-HAS, PAX-332-C8D-NAS, PAX-332-C8D-NAR, PAX-332-C8F-NAS, PAX-332-C8L-NAS, PAX-332-C8L-NAR
SDI 12G Input		BNC Jack x 1	PAX-332-C8E-HAS, PAX-332-C8E-HAR, PAX-332-C8E-HAZ, PAX-332-C8E-NAS, PAX-332-C8E-NAR, PAX-332-C8L-NAS, PAX-332-C8L-NAR
Output	HDMI 2.0 Output	HDMI Jack x 1 (Type A)	Digital RGB: TMDS, 3840 x 2160 @ 60 Hz max.
	DVI Output	DVI Jack x 1 (Type D)	Digital RGB: TMDS, 3840 x 2160 @ 30 Hz max.
	DC Power Output	DC Jack x 1	DC 5 V or DC 12 V
Optional Output	DP 1.2 Output	DP Jack x 1	DisplayPort 1.2 MST or Clone PAX-332-C8D-HAS, PAX-332-C8D-HAR, PAX-332-C8F-HAS, PAX-332-C8D-NAS, PAX-332-C8D-NAR, PAX-332-C8F-NAS, PAX-332-C8L-NAS, PAX-332-C8L-NAR
	SDI Quad 3G Output	BNC Jack x 4	PAX-332-C8E-HAS, PAX-332-C8E-HAR, PAX-332-C8E-HAZ, PAX-332-C8E-NAS, PAX-332-C8E-NAR, PAX-332-C8L-NAS, PAX-332-C8L-NAR
	SDI 12G Output	BNC Jack x 1	PAX-332-C8E-HAS, PAX-332-C8E-HAR, PAX-332-C8E-HAZ, PAX-332-C8E-NAS, PAX-332-C8E-NAR, PAX-332-C8L-NAS, PAX-332-C8L-NAR
Environment	Temperature	Operational	0 ~ 40 °C
		Storage	-20 ~ 60 °C
	Humidity	Operational	Ta = 40 °C, 90% RH non-condensed
		Storage	5 ~ 90%
Pressure	Operational	500 hPa to 1013 hPa	
	Storage	500 hPa to 1013 hPa	
Power	Rating	DC 24V 10.41A Max.	
	Consumption (Typ.)	168.5W (max.)	
Physical Characteristics	IP Ratings	Front IP65 / Top IPX1	
	VESA Mount	100 x 100; 75 x 75 mm	
	Dimension (W x D x H)	768.99 x 79.55 x 484.03 mm	
	Weight	13.79 kg max.	
Certifications	CE MDR (EN60601-1; EN60601-1-2), RoHS II		
Warranty	3 Years		

Dimensions

Unit: mm



Ordering Information

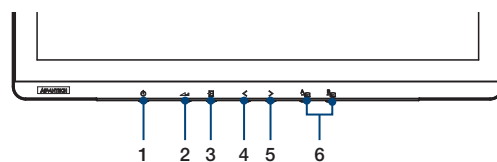
Part Number	Brightness	Optional	Touchscreen	Weight	Power Consumption (Typ.)
PAX-332-C8A-HAS	700cd/m ² / 850 cd/m ²	-	-	12.42 kg	136.8W / 117.1W
PAX-332-C8D-HAS	700cd/m ² / 850 cd/m ²	4K 3G x 4	-	12.88 kg	144.5W / 124.8W
PAX-332-C8F-HAS	700cd/m ² / 850 cd/m ²	4K 3G x 4, AVAS	-	13.26 kg	168.5W / 148.8W
PAX-332-C8J-HAS	700cd/m ² / 850 cd/m ²	AVAS	-	12.80 kg	160.8W / 141.1W
PAX-332-C8A-HAR	700cd/m ² / 850 cd/m ²	-	PCAP	12.42kg	136.8W / 117.1W
PAX-332-C8E-HAS	700cd/m ² / 850 cd/m ²	12G x 1	-	12.62kg	147.4W / 127.7W
PAX-332-C8E-HAR	700cd/m ² / 850 cd/m ²	12G x 1	PCAP	12.62kg	147.4W / 127.7W
PAX-332-C8E-HAZ	700cd/m ² / 850 cd/m ²	12G x 1	-	12.62kg	147.4W / 127.7W
PAX-332-C8D-HAR	700cd/m ² / 850 cd/m ²	4K 3G x 4	PCAP	12.88kg	144.5W / 124.8W
PAX-332-C8A-NAS	350 cd/m ²	-	-	12.95kg / 12.34kg	63.2W / 53.32W
PAX-332-C8A-NAR	350 cd/m ²	-	PCAP	12.95kg / 12.34kg	63.2W / 53.32W
PAX-332-C8E-NAS	350 cd/m ²	12G x 1	-	13.15kg / 12.54kg	73.6W / 63.72W
PAX-332-C8E-NAR	350 cd/m ²	12G x 1	PCAP	13.15kg / 12.54kg	73.6W / 63.72W
PAX-332-C8D-NAS	350 cd/m ²	4K 3G x 4	-	13.41kg / 12.80kg	70.8W / 60.92W
PAX-332-C8D-NAR	350 cd/m ²	4K 3G x 4	PCAP	13.41kg / 12.80kg	70.8W / 60.92W
PAX-332-C8F-NAS	350 cd/m ²	4K 3G x 4 / AVAS	-	13.79kg / 13.18kg	94.8W / 84.92W
PAX-332-C8L-NAS	350 cd/m ²	4K 3G x 4 / 12G x 1	-	13.51kg / 12.9kg	81.6W / 71.72W
PAX-332-C8L-NAR	350 cd/m ²	4K 3G x 4 / 12G x 1	PCAP	13.51kg / 12.9kg	81.6W / 71.72W

Optional Items

Power Cord

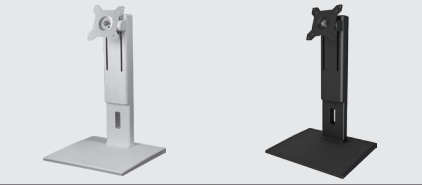
Part Number	Description
1702002605	Power Cord (Europe) 1.8 M
1702002600	Power Cord (USA) 1.8 M
1700018704	Power Cord (UK) 1.8 M
XPAX-MPU250A-108	ADP A/D 100-240V 250W 24V HOUSING

Front Function Keys



- | | |
|---------------------------|-----------------------------|
| 1. POWER button/indicator | 5. RIGHT button |
| 2. ENTER/MENU button | 6. PiP INPUT select buttons |
| 3. EXIT/INPUT button | A. Main input |
| 4. LEFT button | B. Sub input |

Recommended Mounting Solution

Model Name	ARES-2423S	
Part Number	ARES-2423S-A770L00	ARES-2423S-A770L01
Photo		
Max. Support Weight	4 ~ 12kg	
Max. Support Panel Size	24" ~ 34"	
VESA Information	75 x 75 mm 100x100 mm	

For more information, please click this link: <https://bit.ly/3T7dLMR>