




## Product information STAS 4 K 075 SI 1000mm grau/grey

Industrial Connecting Solutions:Rectangular Connectors:Power Connectors (ST series):Cable plug:STAS 4 K 075 SI 1000mm grau/grey

<http://dev-catalog.beldensolutions.com/link/57078-24228-256261-24351-24355-38163/en/conf/ui/istate>

Name	STAS 4 K 075 SI 1000mm grau/grey
	
	Molded-on cable plug with harmonized lead (DIN VDE 0282) and safety bracket
<b>Delivery informations</b>	
Availability	available
<b>Product description</b>	
Description	Molded-on cable plug with harmonized lead (DIN VDE 0282) and safety bracket
Type	STAS 4 K 075 SI 1000mm grau/grey
Order No.	932 578-011
Type of contact	male
Number of contacts	4 + PE
Cable color	black
Cable length	1000 mm
Cable diameter	8.2 mm
Conductor size	0.75 mm <sup>2</sup>
Cable specification	5 x 0.75 mm <sup>2</sup>
Cable type	H05 RR-F5G 0,75
Housing Color	grey
Contact bearer color	black
<b>Technical data</b>	
Pin dimensions	2 mm
Rated voltage	AC 400 V / DC 250 V
Rated current	DC 10 A / AC 10 A
Contact resistance	<= 5 mOhm
<b>Material</b>	
Contact material	Cu Zn
Contact surface material	Sn
Contact bearer material	PA
Housing material	PA
<b>Environmental conditions</b>	
Protection class (IEC 60529)	IP 54
Pollution severity	3
Temperature range	-30°C to +90°C (connector) / -25°C to +60°C (cable)
<b>Inflammability class</b>	
Housing	UL 94 HB
Cable	VDE 0472 part 804
Contact bearer	UL 94 V-0
<b>Approvals</b>	
VDE	VDE
SEV	SEV
<b>Packing unit</b>	
Packaging unit	50 pieces



# HIRSCHMANN

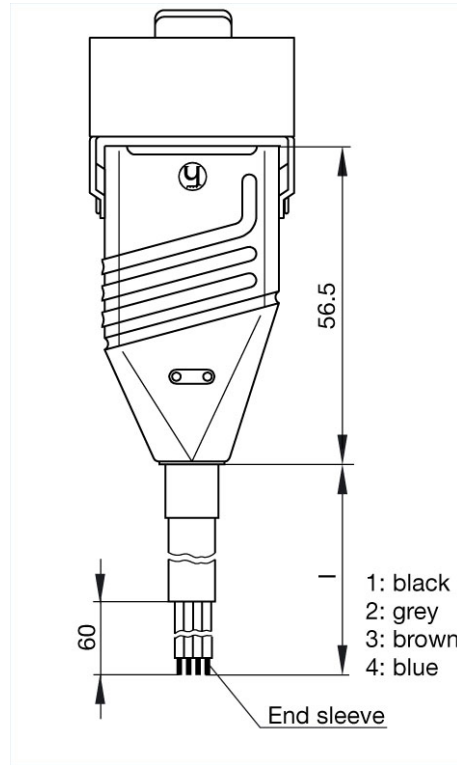
A BELDEN BRAND

Industrial Connecting Solutions:Rectangular Connectors:Power Connectors (ST series):Cable plug-STAS 4 K 075 SI 1000mm grau/grey

<http://dev-catalog.beldensolutions.com/link/57078-24228-256261-24351-24355-38163/en/conf/ui/state>

Picture

Drawing



#### Belden Deutschland GmbH

Im Gewerbepark 2  
58579 Schalksmühle  
Germany  
Phone: +49 7127/14-1806  
E-Mail: [icos-sales@belden.com](mailto:icos-sales@belden.com)

The information published in the websites has been compiled as carefully as possible. It is subject to alteration without notice in technical as well as in price-related/commercial respect. The complete information and data were available on user documentation. Mandatory information can only be obtained by a concrete query.