

**KY98E021**

**CAPACITIVE SENSORS • INTEGRATED BUTTON**

Capacitive proximity switches are contact-free sensors. They detect metallic and non-metallic objects, regardless of whether they move or not. The achievable sensing range of the devices depends on the object material, its dimensions and the response sensitivity, which is set via a potentiometer. The vibration-resistant sensors can be approached laterally or frontally. Capacitive proximity switches are used for presence detection (e.g. sealing detection), positioning (e.g. PET bottles), counting (e.g. plastic caps), level detection (e.g. lubricant) or distance measurements (e.g. thickness measurement) of solid and liquid materials.



**MECHANICAL DATA**

Ambient temperature (MAX)	70 °C
Ambient temperature (MIN)	-30 °C
Button design	Flat
Cable length	200 mm
Degree of protection (IP)	IP67
Front ring color	Chrome
Front ring material	Metal
Hole diameter	59 mm
Housing coating	Anodised
Housing design	Cylinder, screw-thread
Housing material	Plastic
Lens design	Round
Max. tightening torque	1 Nm
Thread length	10 mm
Thread pitch	1 mm
Thread size, metric	18

**ELECTRICAL DATA**

Max. output current	400 mA
No-load current	30 mA
Number of contacts as normally open contact	1
Number of pins	4
Rated control supply voltage $U_s$ at DC (MAX)	30 V
Rated control supply voltage $U_s$ at DC (MIN)	10 V
Reverse polarity protection	Yes
Scanning	Yes
Short-circuit-proof	Yes
Suitable for illumination	Yes
Supply voltage of lamp	24 V
Switching function, latching	No
Type of electric connection	Cable with connector

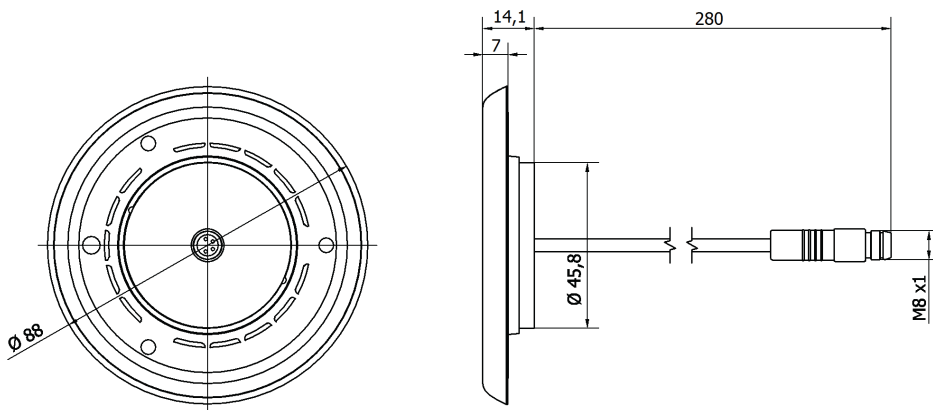
**ELECTRICAL DATA**

Type of switching function	Normally open contact
Type of switching output	PNP
Voltage drop	3 V
Voltage type	DC
With LED display	Yes

**OTHER DATA**

With front ring	Yes
-----------------	-----

**DIMENSIONAL DRAWING**



**INSTALLATION**



Mounting / Installation may only be carried out by a qualified electrician!

**DISPOSAL**



**SAFETY WARNINGS**

Before initial operation, please make sure to follow all safety instructions that may be provided in the product information!

Never use these devices in applications where the safety of a person depends on their functionality.