

O198C938

TEMPERATURE SENSORS • CONTACTLESS MEASUREMENT (INFRARED)



MECHANICAL DATA

Cable length of measuring head	3 m
Degree of protection (IP)	IP65
Measurement of material humidity	No
Operating temperature of the measuring head	180 °C
Operating temperature of the measuring head	-40 °C

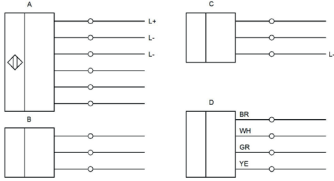
ELECTRICAL DATA

Data logging possible	Yes
Display	Digital
Infrared measurement	Yes
Interface	No
Interface possible	Yes
Measured value memory	No
Measurement of differential temperature	No
Measurement of rel. air humidity	No
Measuring range	-50 °C ... 975 °C
Multiple display	No
Programmable via software	Yes
Separate sensor	Yes
Thermocouple RTD	No
Type B thermocouple	No
Type E thermocouple	No
Type J thermocouple	Yes
Type K thermocouple	Yes
Type N thermocouple	No
Type of electrical connection	Cable
Type R thermocouple	No
Type S thermocouple	No
Type T thermocouple	No
With LED display	Yes

OPTICAL DATA

Ratio (D:S)	0,62569444444
Spectral sensitivity	14 μm
Spectral sensitivity	8 μm

CONNECTION



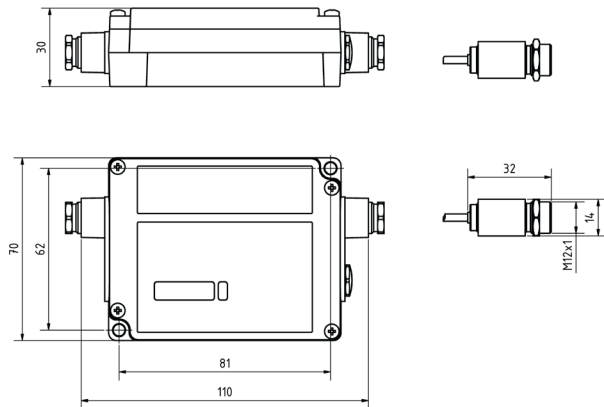
Colors: D: BN = (brown), WH = (white), GN = (green), YE = (yellow)

Functions: A: L+, L-, L-, OUT-AMB, OUT-TC, OUT-mV/mA

B: F1, F2, F3

C: alarm 2, 3V, L-

DIMENSIONAL DRAWING



INSTALLATION



Mounting / Installation may only be carried out by a qualified electrician!

DISPOSAL



SAFETY WARNINGS

Before initial operation, please make sure to follow all safety instructions that may be provided in the product information!