

OY410024

OPTICAL SENSORS • LIGHT BARRIERS

The multi-function light barriers are through-beam sensors where multiple beams are integrated. In case of interruption of only one beam, the switching output of the receiver changes its state. The devices are used where standard through-beam sensors with only one beam are not sufficient. There are devices with beam spacing of 20, 40, 60 or 120mm and different heights available. An integrated fuzzy logic controls the transmitting power automatically.



MECHANICAL DATA

| | |
|-----------------------------|-----------|
| Ambient temperature (MAX) | 50 °C |
| Ambient temperature (MIN) | -5 °C |
| Cable length | 0.3 m |
| Cover material | Plastic |
| Degree of protection (IP) | IP65 |
| Housing material | Aluminium |
| Material of optical surface | PMMA |
| Number of wires | 4 |
| Protected field height | 938 mm |
| Sensor height | 980 mm |
| Sensor length | 20.5 mm |
| Sensor width | 40 mm |

ELECTRICAL DATA

| | |
|--|-------------------------------|
| Cascadable | No |
| Clock control possible | No |
| No-load current, receiver | 100 mA |
| No-load current, transmitter | 100 mA |
| Number of pins | 4 |
| Number of pins, receiver | 4 |
| Number of pins, transmitter | 4 |
| Override possible | No |
| Rated control supply voltage U_s at DC (MAX) | 26.4 V |
| Rated control supply voltage U_s at DC (MIN) | 21.6 V |
| Reaction time | 6 ms |
| Reverse polarity protection | Yes |
| Short-circuit-proof | Yes |
| Suitable for safety functions | No |
| Suppression possible | No |
| Type of analog output | 0 V ... 10 V / 4 mA ... 20 mA |
| Type of electrical connection | Cable with connector |

ELECTRICAL DATA

| | |
|--|----|
| Voltage type | DC |
| With monitoring function of downstream devices | No |
| With muting function | No |
| With restart lock | No |

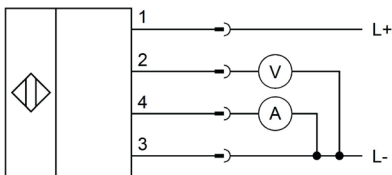
OPTICAL DATA

| | |
|---------------------------------|-------|
| Min. distance | 0.3 m |
| Protected field range | 4 m |
| Resolution of the light curtain | 12 mm |

OTHER DATA

| | |
|---|--------------------------|
| Explosion protection category for dust | None |
| Explosion protection category for gas | None |
| Reduced resolution | No |
| Scope of delivery of the one-way system | Transmitter and receiver |
| With beam coding | No |

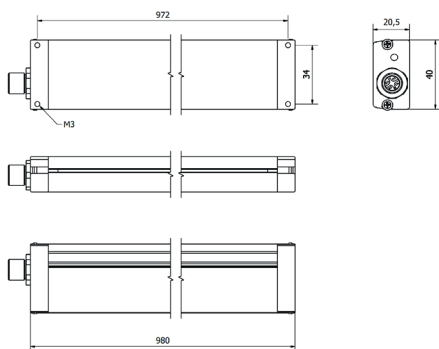
CONNECTION



Colors: 1 = BN (brown), 2 = WH (white), 3 = BU (blue), 4 = BK (black)

Functions: 1 = L+, 2 = 0-10V, 3 = L-, 4 = 4-20mA

DIMENSIONAL DRAWING



INSTALLATION



Mounting / Installation may only be carried out by a qualified electrician!

DISPOSAL



SAFETY WARNINGS

Before initial operation, please make sure to follow all safety instructions that may be provided in the product information!

Never use these devices in applications where the safety of a person depends on their functionality.