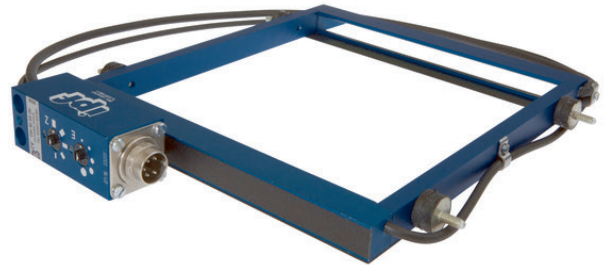


OHSI0306

OPTICAL SENSORS • FRAME LIGHT BARRIERS

Frame and ring light barriers operate according to the principle of a through-beam sensor. Within the housing there is a variety of transmitter and receiver elements that form a light curtain and thus detect various objects. Application examples for these systems are ejection control of presses, presence monitoring or length measurements of wires or tubes.



MECHANICAL DATA

Active zone height	158 mm
Active zone width	160 mm
Ambient temperature (MAX)	60 °C
Ambient temperature (MIN)	-20 °C
Degree of protection (IP)	IP67
Frame opening, crosswise	140 mm
Frame opening, lengthwise	158 mm
Housing design	Cuboid
Housing design	Frame-shaped
Housing material	Aluminium
Reflector included in the scope of delivery	No
Sensor height	174 mm
Sensor length	15 mm
Sensor width	190 mm
With mechanical impact protection	Yes

ELECTRICAL DATA

Analogue output 0 mA ... 20 mA	No
Analogue output 0 V ... 10 V	No
Analogue output -10 V ... +10 V	No
Analogue output 4 mA ... 20 mA	No
Equipment protection class	Protection class 3
Max. output current	200 mA
Max. switching distance	160 mm
No-load current	200 mA
Number of pins	5
Operating voltage (MAX)	32 V
Operating voltage (MIN)	12 V
Pulse stretching	300 ms
Pulse stretching	20 ms
Rated control supply voltage U_s at DC (MAX)	32 V

ELECTRICAL DATA

Rated control supply voltage U_s at DC (MIN)	12 V
Reverse polarity protection	Yes
Setting procedure	Manual adjustment
Short-circuit-proof	Yes
Suitable for safety functions	No
Switching frequency	1000 Hz
Type of electrical connection	M16-connector
Type of switching function	Normally closed contact/normally open contact
Type of switching output	PNP/NPN
Voltage type	DC
With communication interface, analog	No
With communication interface, AS-Interface	No
With communication interface, CANOpen	No
With communication interface, DeviceNet	No
With communication interface, Ethernet	No
With communication interface, INTERBUS	No
With communication interface, PROFIBUS	No
With communication interface, RS-232	No
With communication interface, RS-422	No
With communication interface, RS-485	No
With communication interface, SSD	No
With communication interface, SSI	No
With LED display	Yes
With monitoring function of downstream devices	No
With other analog output	No
With time function	Yes

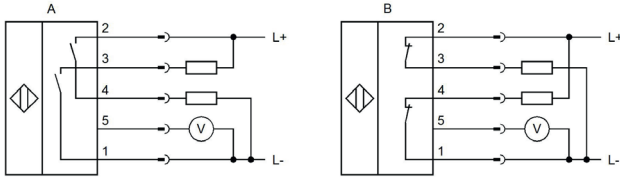
OPTICAL DATA

Light source	Infrared light
Min. object size	0.5 mm
Resolution, dynamic	0.5

OTHER DATA

Version	Dynamic
---------	---------

CONNECTION

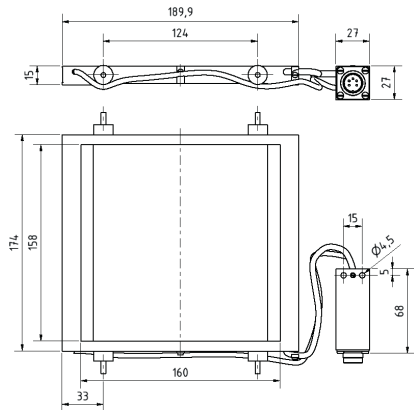


Colors: A: 1 = BU (blue), 2 = BR (brown), 3 = WH (white), 4 = BK (black), 5 = RD (red)

B: 1 = BU (blue), 2 = BN (brown), 3 = WH (white), 4 = BK (black), 5 = RD (red)
Functions: A: 1 = L-, 2 = L+, 3 = NPN NO, 4 = PNP NO, 5 = 0-10V

B: 1 = L-, 2 = L+, 3 = PNP NC, 4 = NPN NC, 5 = 0-10V

DIMENSIONAL DRAWING



INSTALLATION



Mounting / Installation may only be carried out by a qualified electrician!

DISPOSAL



SAFETY WARNINGS

Before initial operation, please make sure to follow all safety instructions that may be provided in the product information!

Never use these devices in applications where the safety of a person depends on their functionality.