

## EM390101

### LED-LIGHTS • MACHINE AND BENCH LIGHTS

LED lights are required in nearly every industrial sector. A lighting coordinated on the respective workplace ensures a better visibility, increases the production quality, the working safety and helps additionally to save energy costs. Their long lifetime, which is independent of switching cycles, reduces maintenance costs and increases the availability. LED lights are used for the illumination of workplaces, work areas of machines, control cabinets and several other fields of application.



#### MECHANICAL DATA

Ambient temperature	-20 °C ... 50 °C
Degree of protection (IP)	IP65
Front screen material	Hard glass
Height	40 mm
Housing design	Cuboid
Housing material	Aluminium
Length	500 mm
Wet area	Yes
Width	39 mm

#### ELECTRICAL DATA

Lamp power	24 W
Luminous flux	1200 lm
Max. current consumption	1000 mA
Nominal supply voltage	24 V ... 24 V
Protection class	III
Reverse polarity protection	Yes
Type of electrical connection	Cable
Voltage type	DC

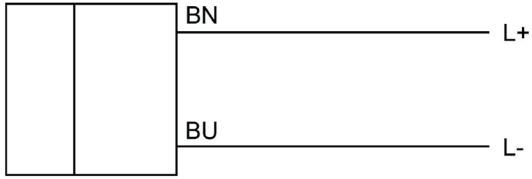
#### OPTICAL DATA

Color temperature	6000 K
Illumination in the center (distance 1 m)	1000 lx
Light source	Cold white
Light version	Machine light
Radiation angle	45 °

#### OTHER DATA

Harsh environmental conditions	Yes
Risk groups	0

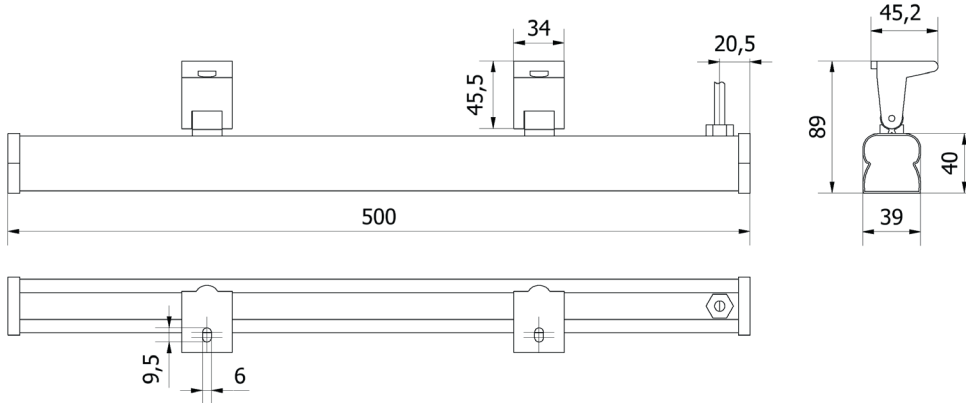
**CONNECTION**



**Colors:** BN (brown), BU (blue)

**Functions:** BK = L+, BU = L-

**DIMENSIONAL DRAWING**



**INSTALLATION**



Mounting / Installation may only be carried out by a qualified electrician!

**DISPOSAL**



**SAFETY WARNINGS**

Before initial operation, please make sure to follow all safety instructions that may be provided in the product information!