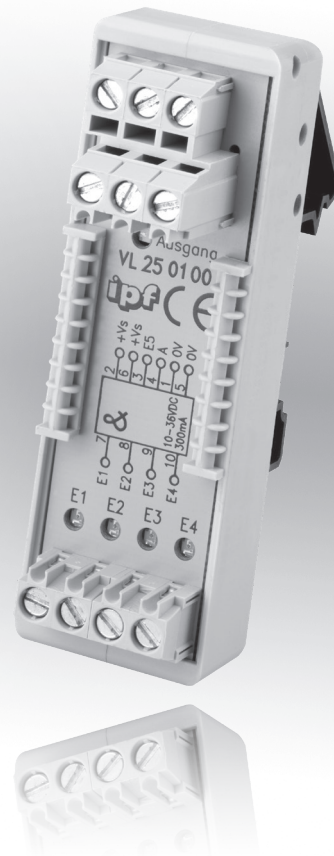


design **25.5 x 80 x 49mm**

version AND-module
 OR-module

- ✓ LED status display for input and output status
- ✓ mounting on DIN-rail acc. to EN 50022
- ✓ cascadable thanks to additional input
- ✓ high switching frequency
- ✓ loop-through supply voltage
- ✓ screw terminals



**4-way logic module
optional open-ended**

ODER

UND

description

It is often the case, that the signals of many sensors are linked in an application in order to provide a statement about an operational state.

If this linkage is adopted in the control unit, it is necessary to run the signals of each sensor up until there via leads, and process them in the control program.

In many cases, it would be sufficient to link the sensor signals to one another on-site and only transmit one linked end-signal to the control unit.

ipf electronic logic distribution terminals are used for this purpose. According to the module, up to 4 sensors can be connected to the terminals E1 to E4 and logically linked to

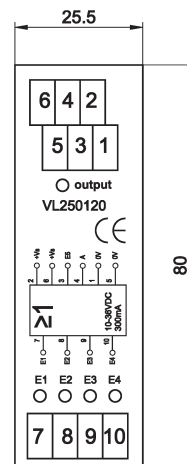
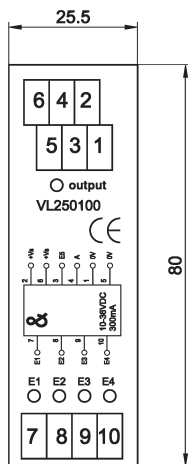
one another.

AND and/or OR versions are available as logical variants. The user can directly see which signals are pending and/or which are missing (as the case may be) by means of LED status display of the logic modules. The status of the linked end signals is similarly shown via an output LED. The end signal is provided at terminal 4. The input E5 is used for cascading the logic module only. This input is not a sensor signal input. When no cascading function is used, the input can remain unassigned.

application examples

- ▶ signal linkage of multiple sensors

article-no.	VL250100	VL250120
version	AND-module	OR-module

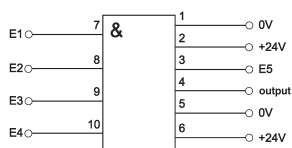


TECHNICAL DATA

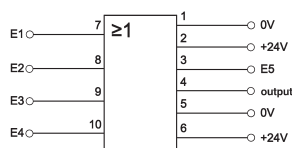
version	AND-module	OR-module
operating voltage	10 ... 35V DC	10 ... 3V DC
current consumption (w/o load)	≤ 5mA	≤ 5mA
output current (max. load)	300mA	300mA
voltage drop (max. load)	2.1V DC	2.1V DC
input current (I nominal)	each 3.5mA at 24V DC	each 3.5mA at 24V DC
switching frequency	5kHz	5kHz
status display (signal)	4 x LED yellow	4 x LED yellow
status display (function)	1 x LED green	1 x LED green
dimensions	25.5x80x49mm	25.5x80x49mm
material (housing)	plastic	plastic
temperature (operating)	-25 ... +60°C	-25 ... +60°C
degree of protection (EN 60529)	IP40	IP40
connection	terminals	terminals

connection

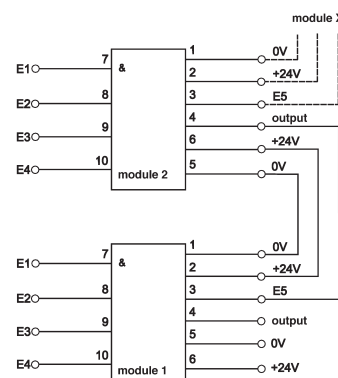
AND-module



OR-module



cascading of several modules



This data sheet contains the standard versions only. Kindly request the availability of other output- and connection functions.

Warning: Never use these devices in applications where the safety of a person depends on their functionality.