

IB26E112

INDUCTIVE SENSORS • NORM SWITCHING DISTANCE

Inductive proximity switches are contact-free sensors. They detect all conductive metals, regardless of whether they move or not. The achievable sensing range of the devices depends on the object material and its dimensions. The vibration-resistant sensors can be approached laterally or frontally. Inductive proximity switches are used for presence detection (e.g. goods carriers), positioning (e.g. dampers), counting (e.g. nuts /bolts), speed detection (e.g. for cog wheels), on conveyor systems (e.g. hose feedings) or distance measurements (e.g. press-in checking) of metallic objects.



MECHANICAL DATA

Active area material of sensor	PBT
Ambient temperature (MAX)	70 °C
Ambient temperature (MIN)	-25 °C
Cable length	0.1 m
Degree of protection (IP)	IP67
Housing design	Cuboid
Housing material	PBT
Material of cable sheath	PUR (Polyurethane)
Mechanical mounting condition for sensor	Flush
Number of wires	3
Pressure-proof	No
Sensor height	40 mm
Sensor length	26 mm
Sensor width	12 mm

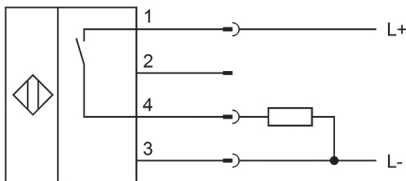
ELECTRICAL DATA

Cascadable	No
Correction factor (aluminum)	0.3
Correction factor (brass)	0.4
Correction factor (copper)	0.2
Correction factor (St37)	1
Correction factor (stainl. steel)	0.7
Hysteresis	15 %
Max. output current	200 mA
Max. output current at safe output	200 mA
No-load current	13 mA
Number of pins	3
Operating voltage (MAX)	30 V
Operating voltage (MIN)	10 V
Reverse polarity protection	Yes
Short-circuit-proof	Yes

ELECTRICAL DATA

Suitable for safety functions	No
Supply voltage (MAX)	30 V
Supply voltage (MIN)	10 V
Switching distance	2 mm
Switching frequency	1000 Hz
Type of electrical connection	Cable connector M12
Type of switching function	Normally open contact
Type of switching output	PNP
Voltage drop	2.4 V
Voltage type	DC
With LED display	Yes
With monitoring function of downstream devices	No

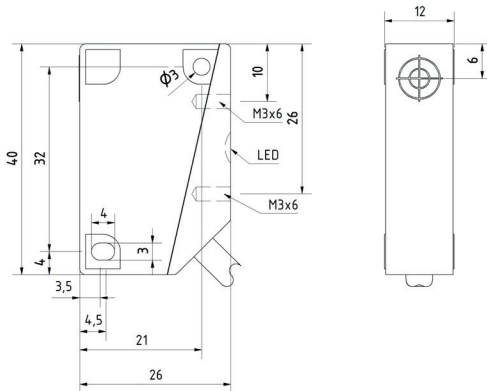
CONNECTION



Colors: 1 = BN (brown), 2 = WH (white), 3 = BU (blue), 4 = BK (black)

Functions: 1 = L+, 2 = n. c., 3 = L-, 4 = PNP NO

DIMENSIONAL DRAWING



INSTALLATION



Mounting / Installation may only be carried out by a qualified electrician!

DISPOSAL



SAFETY WARNINGS

Before initial operation, please make sure to follow all safety instructions that may be provided in the product information!

Never use these devices in applications where the safety of a person depends on their functionality.