

SERIE 72

INCREMENTAL HOLLOW SHAFT ENCODER FOR INDUSTRIAL APPLICATIONS

- Resolution up to 1.500 pulses per turn
- Hollow shaft \varnothing 12 mm
- Protection class IP55 according to DIN EN 60529
- Flexible coupling integrated
- Connection by cable (other cable length available) or industrial connector
- Female connector included



Optical Encoder



Incremental Encoder



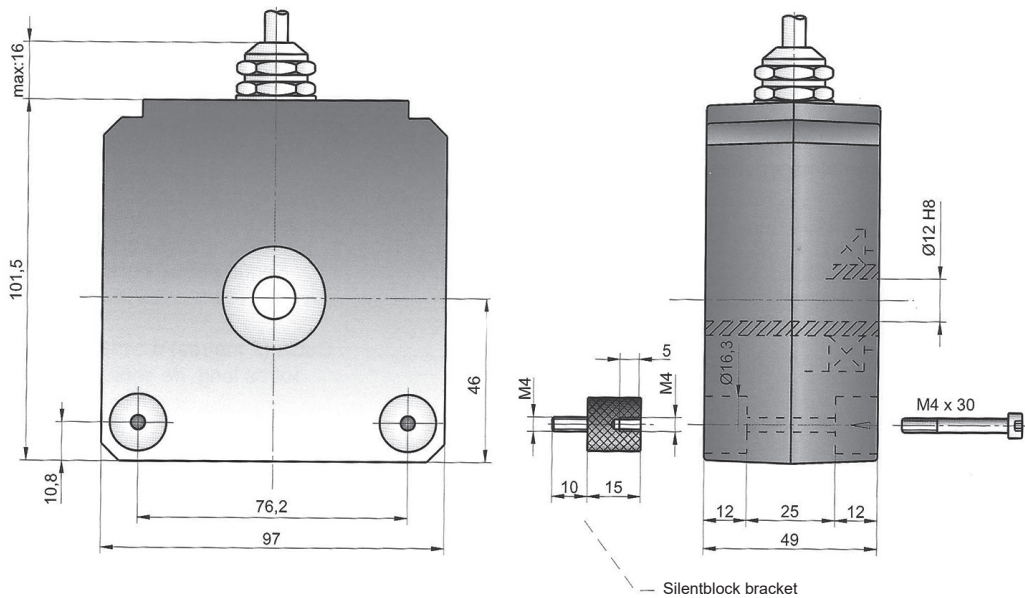
Vibration and shock resistant



IP55



Express Delivery



Drawing hollow shaft type 7, connection type 3

REFERENCE

Reference example: 72-7392-1500

Serie	Hollow shaft	Connection	Output signals	Electronic output	Pulses number	Special customer
72 -	<input type="checkbox"/>	<input type="checkbox"/>	<input type="checkbox"/>	<input type="checkbox"/> -	<input type="checkbox"/> <input type="checkbox"/> <input type="checkbox"/> <input type="checkbox"/>	<input type="checkbox"/> <input type="checkbox"/> <input type="checkbox"/> <input type="checkbox"/>
	7. \varnothing 12 mm	2. Radial 90.9504 3. Radial cable 4. Radial 90.9512	1. A 2. A+B 3. A+B+0 4. A+0 5. A+ \tilde{A} 6. A+ $\tilde{0}$ 7. A \tilde{A} +B \tilde{B} 8. A+B+ $\tilde{0}$ 9. A \tilde{A} +B \tilde{B} + $\tilde{0}$	1. Push-Pull 11..30 VDC 2. TTL Line Driver 5 VDC		

Order your reference
Step file 3D

info@encoderhohner.com

service available in 24 h



SERIE 72

INCREMENTAL HOLLOW SHAFT ENCODER FOR INDUSTRIAL APPLICATIONS

TECHNICAL SPECIFICATIONS

Materials	Housing: ABS Shaft: Aluminium
Bearings	Ballraces
Bearings lifetime	1x10 ¹⁰ rev.
Maximum number of revolutions permitted mechanically	6000 rpm
Protection against dust and splashes according to DIN EN 60529	IP55
Rotor inertia moment	500 gcm ²
Starting torque at 20°C (68°F)	10 Ncm
Maximum load permitted on axial shaft	10 N
Maximum load permitted on radial shaft	10 N
Weight aprox.	0,7 Kg
Operating temperature range	-20°C to +60°C
Storage temperature range	-20°C to +70°C
Vibration according to DIN EN 60068-2-6	100 m/s ²
Shock according to DIN EN 60068-2-27	300 m/s ²
Humidity	98 % not condensed
Frequency	50 kHz - 100 kHz (Push-Pull) 100 kHz (TTL Line Driver)
Maximum pulses per turn	1.500
Radial connection	2 meters cable or industrial connector (other cable lengths available on order) Female connector included

CONNECTION

	 95.0008002 Cable 2x2x0,14+1x0,14	 95.0008003 Cable 3x2x0,14+2x0,34	 90.9504 DIN 43650 4p	 90.9512 M23 12p CW
GND	Yellow	Black	1	1
VCC	White	Red	2	2
A	Brown	Yellow	3	3
B	Green	Green	4	4
~A		Brown		5
~B		Blue		6
0 (reference)	Grey	Grey		7
~0	Grey	Orange		8