

AO000391

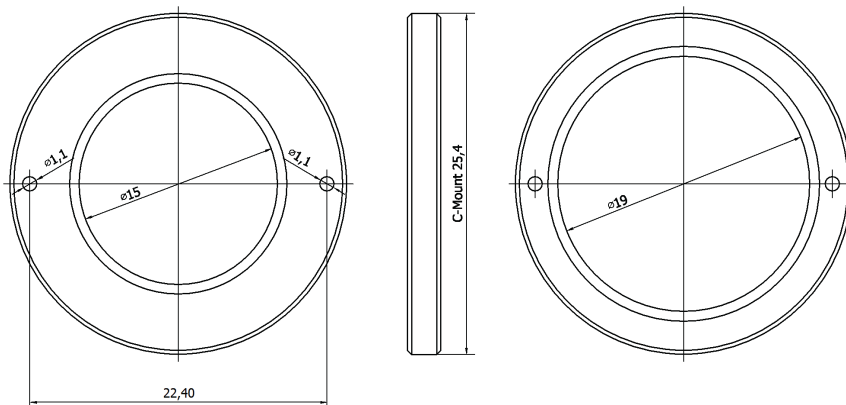
ACCESSORIES • ATTACHMENT OPTICS



MECHANICAL DATA

Height	2.5 mm
Inner diameter	15 mm
Material	Aluminium
Material of optical surface	Glass
Outer diameter	25.4 mm
Painting	Black
Thread pitch	0.79
Thread size, metric	25.4
Version	Daylight-filter
With C-mount thread	Yes

DIMENSIONAL DRAWING



INSTALLATION

DISPOSAL



Mounting / Installation may only be carried out by a qualified electrician!

**SAFETY WARNINGS**

Before initial operation, please make sure to follow all safety instructions that may be provided in the product information!

Never use these devices in applications where the safety of a person depends on their functionality.