

AL000030

CONNECTION TECHNOLOGY • CABLE SOCKETS /CONNECTORS ONE-SIDED PRE-ASSEMBLED

ipf cable sockets are used primarily for establishing the electrical connection of sensors. Their features are characterized by rugged design, the highest protection classes (IP67 | IP68 | IP69K) and, if desired, with 360° shielding. With the features: bus-ready, suitable for use with drag chains and robots, resistance to oil and chemicals, resistance to welding sparks, their resistance to cleaning agents or high-pressure and steam-jet cleaning, the expanded temperature range of up to +230°C, the rapid interconnection technology and special data transmission properties, the cable sockets meet all requirements in automation technology.



MECHANICAL DATA

Ambient temperature (MAX)	55 °C
Ambient temperature (MIN)	-10 °C
Cable length	2 m
Housing material	Plastic
Material of cable sheath	PUR (Polyurethane)
Number of wires	4
Perm. ambient temperature of cable, flexible cable (MAX)	55 °C
Perm. ambient temperature of cable, flexible cable (MIN)	-10 °C
Positioning of cable feed, field side	Straight
Positioning of cable feed, housing side	Straight
Suitable for trailing chain	Yes

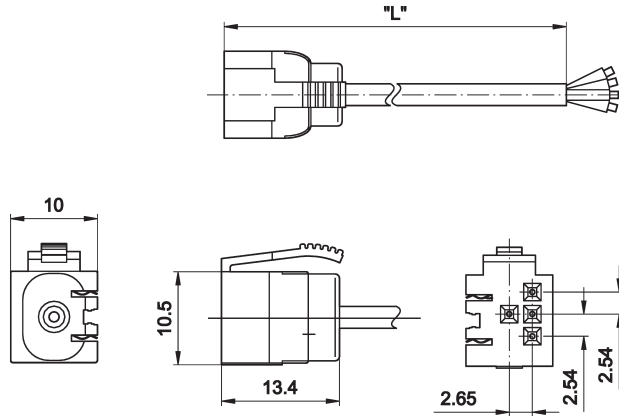
ELECTRICAL DATA

Line diameter	3 mm
Number of pins	4
Number of pins, housing side	4
Type of electrical connection, field side	Blade terminal
Type of electrical connection, housing side	Free conductor end
Type of plug-in contact, field side	Female (socket) / male (plug)

OTHER DATA

Flame resistant	No
Welding area	Yes

DIMENSIONAL DRAWING



INSTALLATION



Mounting / Installation may only be carried out by a qualified electrician!

DISPOSAL



SAFETY WARNINGS

Before initial operation, please make sure to follow all safety instructions that may be provided in the product information!

Never use these devices in applications where the safety of a person depends on their functionality.