

UT129021

ULTRASONIC SENSORS • DISTANCE MEASUREMENT

sensor ultrasonic, diffuse-reflection sensor, M12x1 84long, Sn: 0-150, 18-30V DC, 0-10V/4-20mA, IO-Link, 4pin, IP67, Brass Nickel-plated, Teach-In, With LED display, ultrasonic cone Axial



MECHANICAL FEATURES

Ambient temperature	-25 °C ... 70 °C
Degree of protection (IP)	IP67
Design	Cylinder, screw-thread
Diameter detection	+
Furcate	-
Housing coating	Nickel-plated
Housing material	Brass
Mounting distance	60 mm
Sensor diameter	14 mm
Sensor length	84 mm
Thread length	26 mm
Thread pitch	1 mm
Thread size, metric	12

ELECTRICAL FEATURES

Absolute repeat accuracy	0.5 mm
Adjustable distance	0 mm ... 150 mm
Adjustable measuring range	+
Carrier frequency	400 kHz
Distance measuring sensors	+
Filling level measurement	-
IO-Link compatible	+
Load resistance (current output)	0.4 kOhm
Load resistance (voltage output)	10 kOhm
Measuring range length	100 mm ... 150 mm
Multiplex connection (switchover by means of IO-Link)	+
No-load current	35 mA
Norm measuring plate	20x20
Number of pins	4
Operating voltage	18 V ... 30 V
Protection class	III
Rated switching current	150 mA
Readiness delay	300 ms

ELECTRICAL FEATURES

Reverse polarity protection	+
Sensing range	0 mm ... 150 mm
Setting procedure	Teach-In
Setting via teach-in	+
Short-circuit protection	+
Sound cone with small angle of beam spread	-
Sound outlet	Axial
Switching frequency	20 Hz
Switching output (switchover by means of IO-Link)	+
Switching output with window function	-
Synchronization connection (switchover by means of IO-Link)	+
Synchronization input	-
Synchronization possible	-
Teach input (switchover by means of IO-Link)	+
Temperature drift	0.2 %
Type of analog output	0 V ... 10 V / 4 mA ... 20 mA
Voltage type	DC
With LED display	+

OPTICAL FEATURES

Resolution	1 mm
High resolution	-

OTHER FEATURES

Dead zone	0 mm
Level detection	+
Loop control	-
Object detection on conveyor systems	+
Relative linearity deviation	0.4 %
With protective coating	-

Other

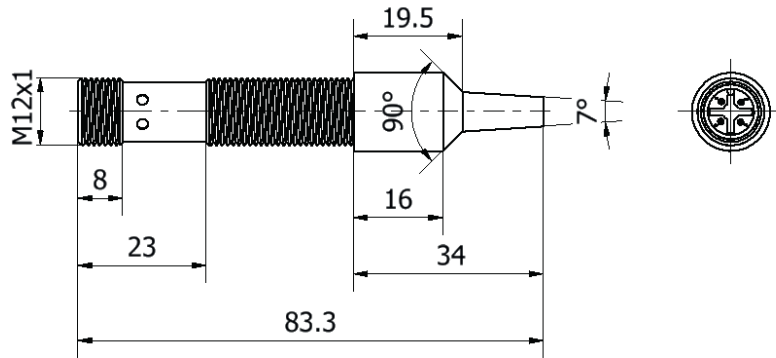
Packaging dimensions	0.0mm x 0.0mm x 0.0mm
Shipping weight	
Tariff code	85365019

Classification

ipf product group	259
eClass 8.0	27272803
eClass 9.0	27272803
eClass 9.1	27272803
ETIM-5.0	EC001849
ETIM-6.0	EC001849
ETIM-7.0	EC001849

Connection

Dimensional drawing



Installation



Mounting / installation may only be carried out by a qualified electrician!

Disposal



Software

Any software, drivers or IODD files that may be required to operate your device can be downloaded free of charge from our homepage: www.ipf-electronic.com

Safety warnings

Before initial operation, please make sure to follow all safety instructions that may be provided in the product information. Never use these devices in applications where the safety of a person depends on their functionality.

LED lighting systems can generate intensive UV radiation, which can damage your eyes in case of improper use. The manufacturer cannot be held responsible for damages that result from improper use or connection.