

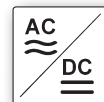
dimensions **127 x 102 x 97mm**

dif. reflection sensors sensing range **3.5 to 7m**

- ✓ adjustable detection range
- ✓ movement-direction-dependent object detection, selectable
- ✓ sensitivity adjustment through dif. reflection sensor or optional remote control
- ✓ large range
- ✓ potential-free relay output with change-over contact
- ✓ relay decay time adjustable from 0.5 to 9s
- ✓ robust and impermeable plastic housing
- ✓ holder made of anodized aluminum



difference between vehicles and people



description

The **RT71** radar sensor operates in the microwave range with 24.125GHz. Depending on the configuration, the device detects all moving objects depending on or independent of the movement direction.

Persons can be masked so that the sensor reacts only to vehicles. In the past, it was necessary to install induction loops in the floor for such applications. The work associated with the installation of such loops is several times greater and is more expensive than the use of this radar sensor.

The device can detect very small movements. Nevertheless, it is less sensitive to rain and snow than previously available motion sensors.

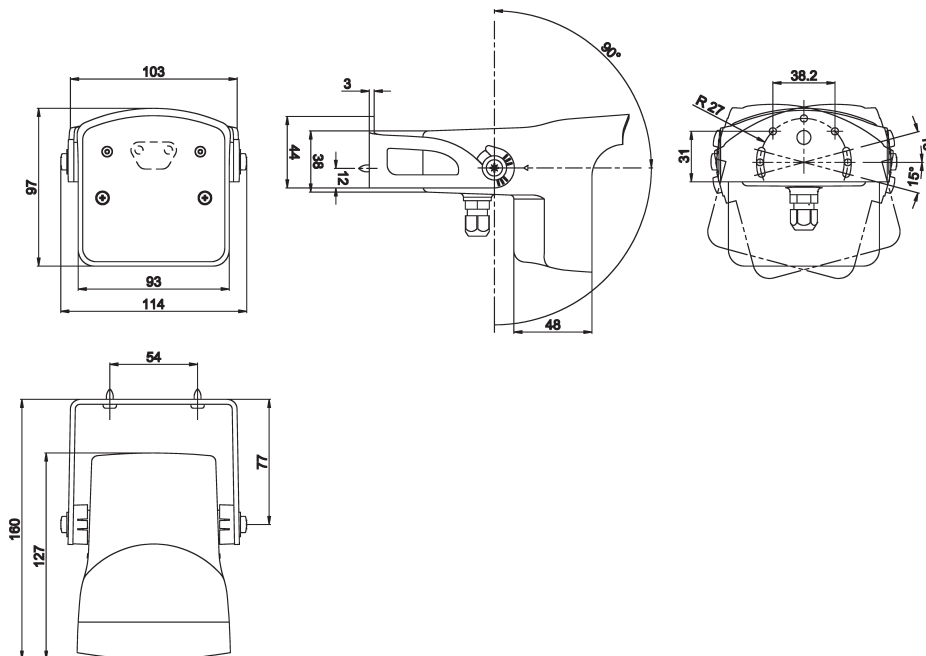
The decay time of the relay can be set between 0.5 and 9s. Very simple door controls can thereby be realized without an additional time delay relay.

The radar motion sensor should be installed above a gate. All parameters can be set with the aid of two push buttons that are located on the front of the sensor or by means of the optional **AR000001** remote control.

application examples

- ▶ control of automatic doors and gates
- ▶ alarm systems

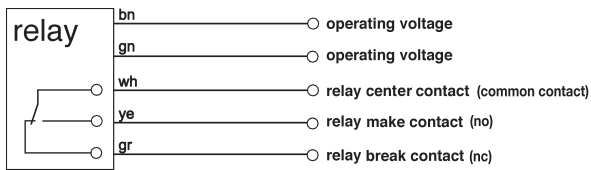
article-no.	RT710900
transmitting frequency	24.125Ghz
operating range	3.5 ... 7m
output	potential-free change-over contact 42V AC/DC



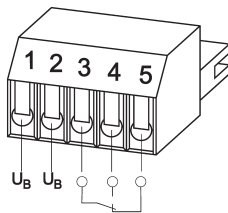
TECHNICAL DATA

sensing range	3.5 ... 7m
detection range	4 x 5m, installation height 5m
detection mode	movement 5cm/s
inclination angle	0 ... 180°C
output signal	potential-free change-over contact 42V AC/DC
operating voltage	12 ... 24V AC ±10% 12 ... 24V DC +30% / -10%
power consumption	2W
output current (max. load)	< 1A
transmitting frequency	24.125Ghz
transmitting power	< 20dBm EIRP 0.25mm, density: < 5mW/cm²
display (signal)	red LED
sensitivity adjustment	2 push buttons, remote control
short-circuit protection	+
reverse polarity protection	+
housing material	ABS, polycarbonate
dimensions	127x102x97mm
operating temperature	-30 ... +60°C
degree of protection (EN 60529)	IP65
connection	cable 10m
accessories	remote control AR000001

connection



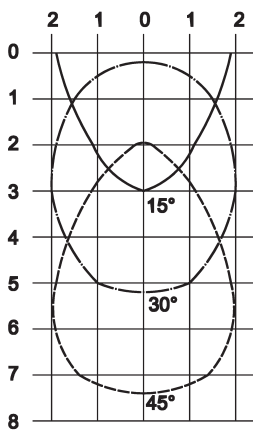
wire colors: bn = brown (1), gn = green (2), wh = white (3), ye = yellow (4), gy = grey (5)



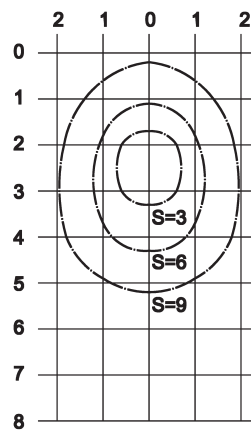
terminal

1	operating voltage (U_B)	e.g. 24V DC
2	operating voltage (U_B)	e.g. 0V DC
3	relay center contact (common contact)	
4	relay make contact (no)	
5	relay break contact(nc)	

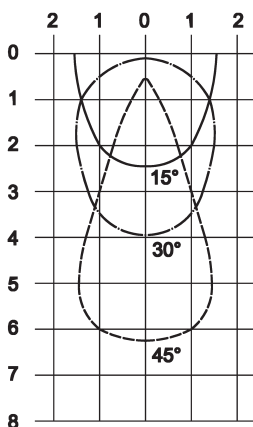
setting the detection field size



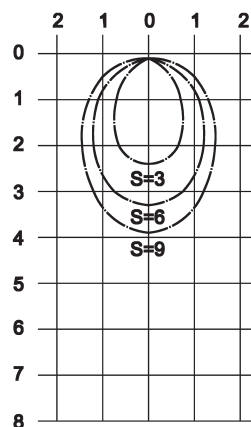
mounting height: 5m
sensitivity: 9
inclination angle:
15° —————
30° - - - - -
45° - - - - -



mounting height: 5m
sensitivity: 3, 6, 9
inclination angle: 30°



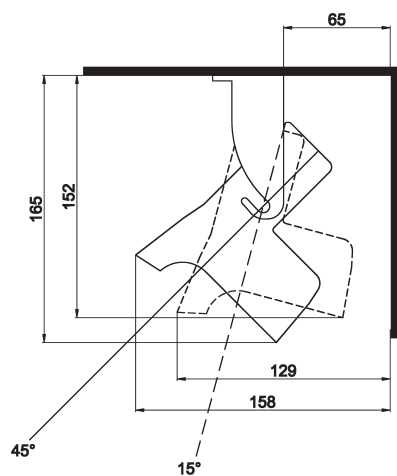
mounting height: 3.5m
sensitivity: 9
inclination angle:
15° —————
30° - - - - -
45° - - - - -



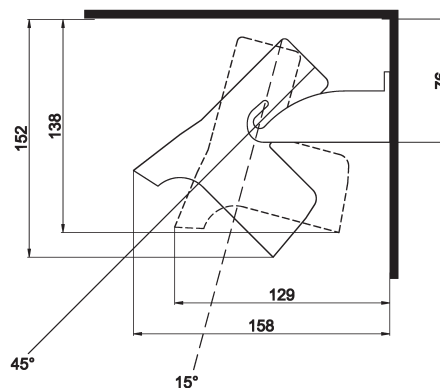
mounting height: 3.5m
sensitivity: 3, 6, 9
inclination angle: 30°



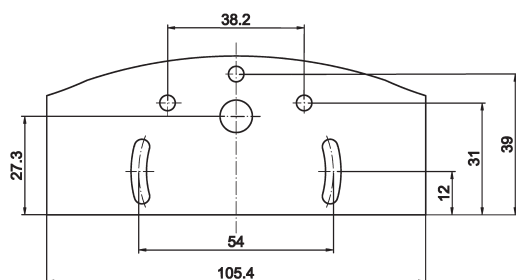
ceiling mounting



wall mounting



dimensions of the holder



ACCESSORIES

article-no.	description
AR000001	remote control

This data sheet only contains the available standard variants. For other output / connection variants, we kindly ask that you contact us.

We are happy to supply the right cable socket for the plug equipment. You will find a list in the "accessories" section of the catalog under **ipf-SENSORFLEX**® "cable sockets" or in the search window on our homepage www.ipf-electronic.com (using the search term "VK").

Warning: Never use these devices in applications where the safety of a person depends on their functionality.

You also find this data sheet, as well as contact details under www.ipf-electronic.com