

IC210176

PRO-series inductive sensor

- / one-piece stainless steel housing
- / extremely resistable
- / short-circuit and reverse polarity protected
- / LED-display
- / M8-connector



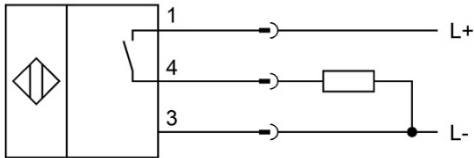
**low reduction factors
IO-Link**



Technical data

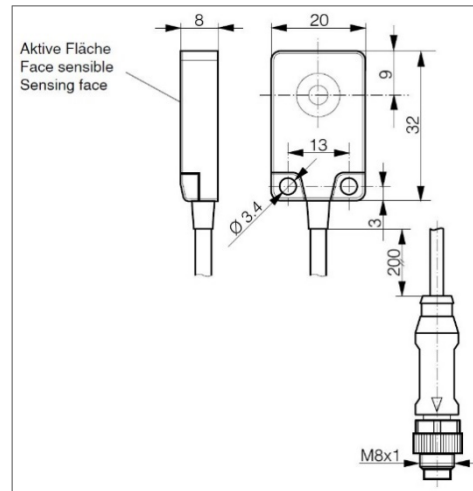
dimensions	20 x 32 x 8mm
nominal switching distance S _n	7mm
mounting	flush (see installation instructions!)
operating voltage U _B	10 ... 30V DC
permissible residual ripple	≤ 20%
switching output	pnp, no
output current (max. load)	≤ 200mA
voltage decay	≤ 2V at 200mA
current consumption(w/o load)	≤ 10mA
reverse leakage current of the output	≤ 0.1mA
switching frequency	≤ 180Hz
power-on delay time	≤ 20ms
switching hysteresis	≤ 15%
norm trimming plate	21 x 21 x 1mm, FE 360
switching state display	0 ≤ s ≤ 0.8s _r : LED yellow lighting 0.8s _r ≤ s ≤ s _r : LED yellow blinking
repeat accuracy	0.3mm (at U _B = 20 ... 30V, T _A = 23°C ± 5°C)
shocks and vibrations	acc. IEC 60947-5-2/7.4
EMC-protection	IEC 60947-5-2 (7.2.3.1): 5kV IEC 61000-4-2: level 4 IEC 61000-4-3: level 3 IEC 61000-4-4: level 3
protection class	IP67
ambient temperature	-25 ... +85°C
temperature drift of S _r	≤ 10%
material (housing)	stainless steel V4A / 1.4435 / AISI 316L
wall thickness of the active surface	0.7mm
electrical connection	PVC-cable connector M8
connection accessories	e.g. VK200075
mounting accessories	universal holder: AY000116

Connection

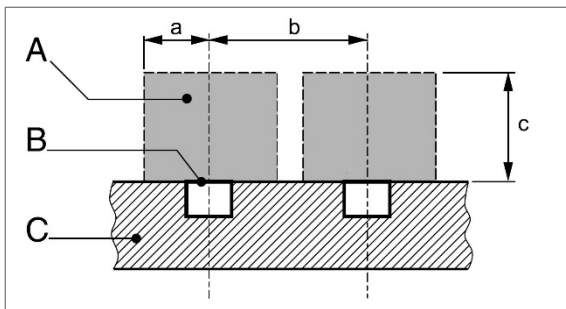


colors: 1 = BN (brown), 3 = BU (blue), 4 = BK (black)
 functions: 1 = L+, 3 = L-, 4 = PNP NO

Dimensional drawing

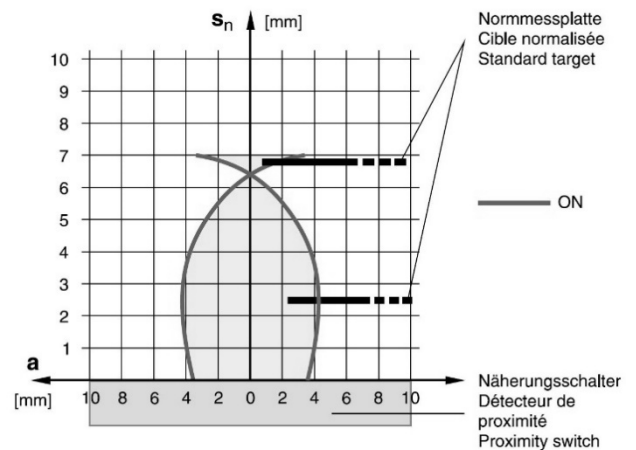


Einbau / Montage / Installation:



Maß a	21mm
Maß b	60mm
Maß c	21mm
A	Metallfreier Raum / espace sans métaux / metal-free zone
B	Aktive Fläche / face sensible / sensing face
C	Träger / support / support

Ansprechkurve* / Courbe de réponse* / Response diagram*:



Reduktionsfaktoren für Messplatte aus* / Coefficients de réduction pour cible en* / Correction factors for target of*:

Stahl FE 360	Kupfer	Aluminium	Messing	Edelstahl 1mm / 2mm dick
Acier FE 360 1,0	civre 0,8	aluminium 1,0	laiton 1,2	acier INOX épaisseur 1mm / 2mm 0,5 / 0,85
Steel FE 360	copper	aluminum	brass	stainless steel 1mm / 2mm thick

Reduktionsfaktoren für bündigen Einbau* / Coefficients de réduction pour montage noyé* / Correction factors for embedded mounting in support of*:

Stahl FE 360	Aluminium	Messing	Edelstahl
Acier FE 360 0.9	aluminium 1.0	laiton 1.2	acier INOX 1.1
Steel FE 360	aluminum	brass	stainless steel

* typical values

SAFETY WARNINGS

Before initial operation, please make sure to follow all safety instructions that may be provided in the product information!

Never use these articles in applications where the safety of a person depends on their functionality.