



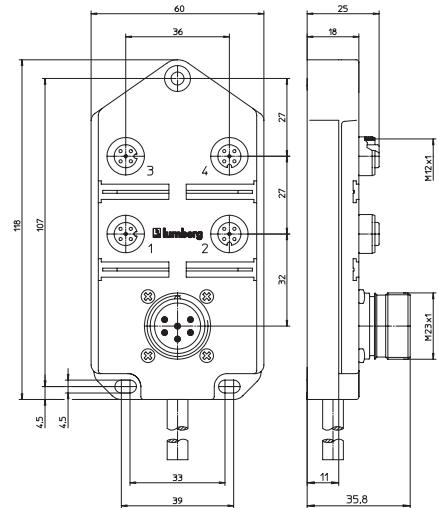
0911 ANC 002



AS-Interface Passive Modules, 4-Ports

4 Ports / On-Board M23

AS-Interface passive module to connect 4 AS-Interface sensors, AS-Interface actuators or ASInterface round cable modules, 4 ports, combined M12 socket with connection for AS-Interface standard round cables and on-board M23 connection for aux power.

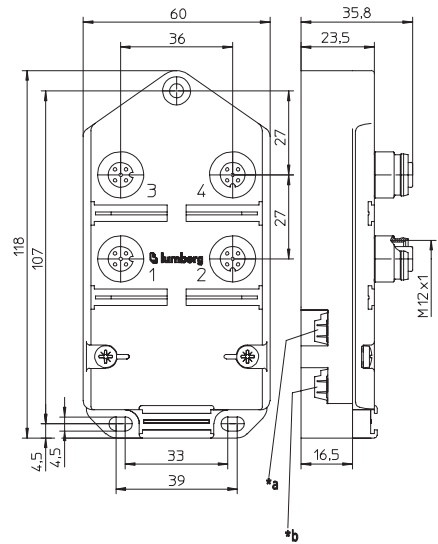


0911 ANC 403



4 Ports

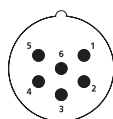
AS-Interface passive module to connect 4 AS-Interface sensors, AS-Interface actuators or ASInterface round cable modules, 4 ports, combined M12 socket, with connection for AS-Interface standard flat cables.



*a Standard flat cable
*b Additional power supply (AS-Interface output levels)

Pin Assignments

Bus connection M12



- 1 = earth
- 2 = +24 V
- 3 = GND (0 V)
- 4 = n.c.
- 5 = n.c.
- 6 = n.c.

Input 1 M12



- 1 = AS-Interface +
- 2 = 0 V AUX
- 3 = AS-Interface -
- 4 = +24 V AUX
- 5 = earth



Be Certain with Belden

AS-Interface Passive Modules, 4-Ports

0911 ANC 002 / 0911 ANC 403



Technical Data

Environmental

Degree of protection IP 67
 Operating temperature range -25°C (-13°F) to +80°C (+176°F)
 Housing material PUR

Cable Specifications

0911 ANC 002:
 PUR/PVC - cable-no. 41
 Further information please see
 chapter "Cable specifications"

Part Number	Outer Jacket	Cable lengths	
0911 ANC 002/...M	PUR/PVC	5 M / 10 M	
0911 ANC 403			

The application of these products in harsh environments should always be checked before use.
 Specifications subject to alteration.