





## GDM Series Surface Mounted Connectors, Type C as per Standard, Female Receptacle Connectors, DIN Standard and Industrial Standard, without Circuit

### Technical Information

Product Description		
Order Designation	GSSNA X00	GSSA X00
		
Description	Male appliance connector with central screw and 2 screws 2X M3 x 8, standard DIN EN 175 301-803-C, open nut	Male appliance connector with central screw and 2 screws 2X M3 x 8, industrial standard (9.4 mm), open nut
RoHS-Compliant (2011/65/EU)	Yes	
(Construction Type) Standard	DIN EN 175 301-803	Industrial standard
Approvals	UR, VDE, SEV, CSA	

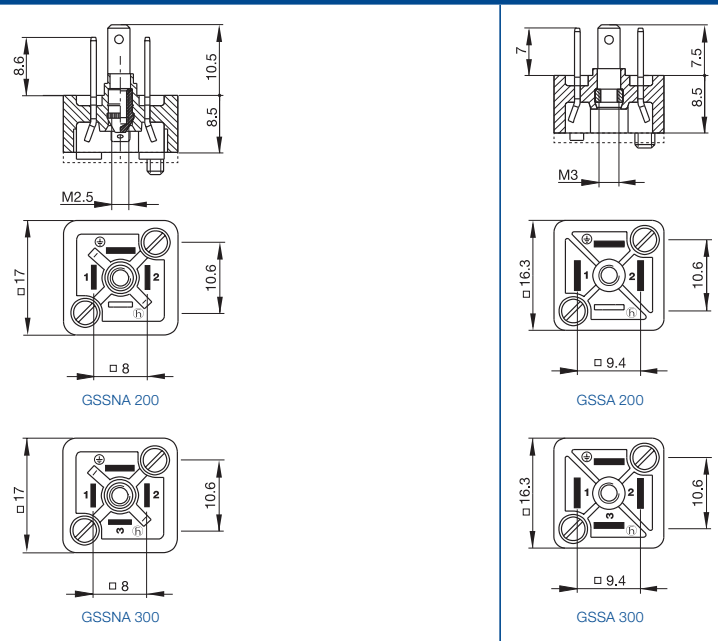
Technical Data	
No. of Pins	2 + PE, 3 + PE
Ambient Temperature	-40 °C to +125 °C
Housing/Grip/Screw Coupling	PA 66
Contact Holder	PA 66
Contact	CuZn, tin-plated

Mechanical Data	
Degree of Protection	IP65 (gasket required, only when mated with Hirschmann/Lumberg counterparts)
Terminal Type	Solder

Electrical Data	
Contact Resistance	≤ 10 mΩ
Rated Voltage	250 V AC/DC
Rated Current	6 A
Pollution Degree	3

Accessories	
Scope of Delivery or Accessories (incl.)	Items supplied in one package: 200
Accessories to be Ordered Separately	(NBR) flat gasket GSSNA 300-5, Order No. 730232002 (EPDM) flat gasket GSSNA 300-6, Order No. 730365004

### Technical Drawing



# Be Certain with Belden

## Order Information

Order No.	Order Designation	No. of Pins	Terminal Type
933110100	GSSNA 200	2 + PE	solder
933111100	GSSNA 300	3 + PE	solder
933117100	GSSA 200	2 + PE	solder
933116100	GSSA 300	3 + PE	solder