

dimensions **M30 x 1.5**

switching distance 10mm

- ✓ one-piece stainless steel housing
- ✓ pressure-resistant up to 40bar
- ✓ extremely resistant
- ✓ extremely impermeable IP68 + IP69k
- ✓ short-circuit and reverse polarity protected
- ✓ LED-display
- ✓ M12-connector

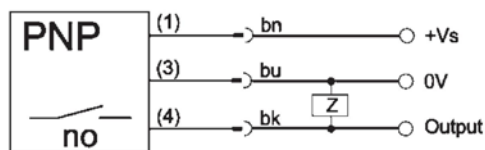


correction factor 1 on aluminum
 ✓ IO-Link

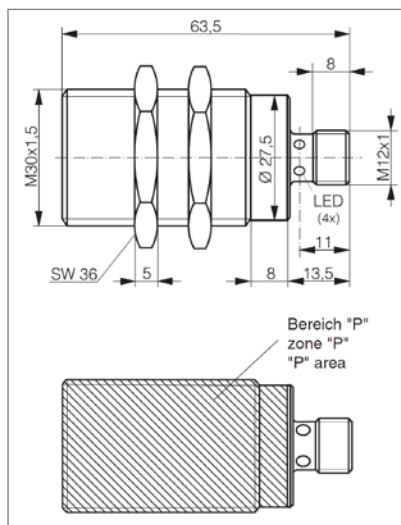

Technical Data
IC300122

nominal switching distance S_n	10mm
mounting	flush (consider correction factors!)
operating voltage U_B	10 ... 30V DC
permissible residual ripple	$\leq 20\%$
switching output	npn, no
output current (max. load)	$\leq 200\text{mA}$
voltage drop	$\leq 2\text{V}$ at 200mA
current consumption (w/o load)	$\leq 10\text{mA}$
leakage current (output)	$\leq 0.1\text{mA}$
switching frequency	$\leq 50\text{Hz}$
power-on delay time	$\leq 50\text{ms}$
switching hysteresis	$\leq 15\%$
norm trimming plate	30 x 30 x 1mm, FE 360
switching state display	$0 \leq s \leq 0.8s_r$: LED yellow lighting $0.8s_r \leq s \leq s_r$: LED yellow flashing
repeat accuracy	0.3mm (at $U_B = 20 \dots 30\text{V}$, $T_A = 23^\circ\text{C} \pm 5^\circ\text{C}$)
pressure resistance („P“ area)	40bar
vibration and shock proof	acc. IEC 60947-5-2/7.4
EMC-protection	IEC 60947-5-2: 5kV IEC 61000-4-2: level 4 IEC 61000-4-3: level 3 IEC 61000-4-4: level 3
protection class	IP68 + IP69k
ambient temperature	$-25 \dots +70^\circ\text{C}$
temperature drift of S_r	$\leq 10\%$
material (housing)	stainless steel V2A / 1.4305 / AISI 303
material thickness (active surface)	1.0mm
electrical connection	M12-connector
max. cable length	300m
connection accessories	e.g. VK200025
mounting accessories	mounting bracket: AY000101

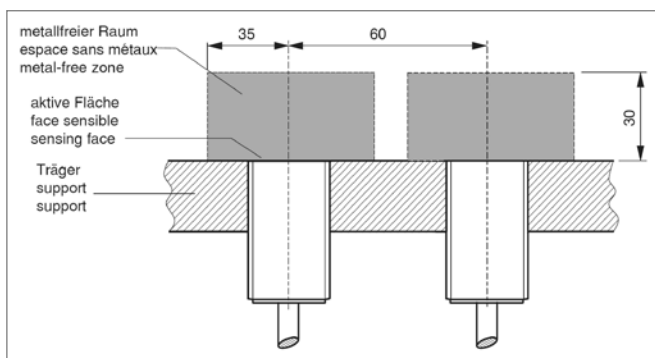
pin configuration:



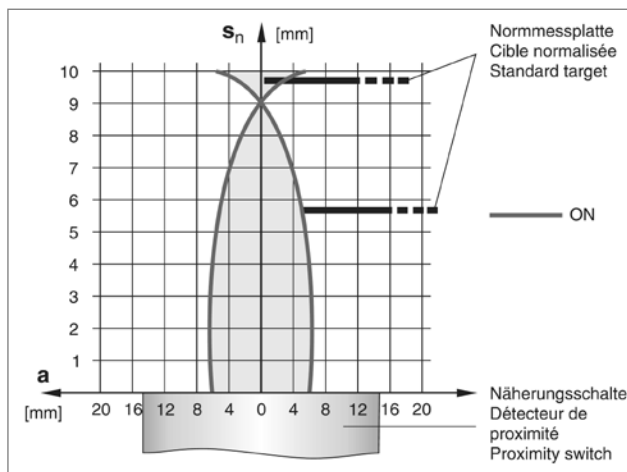
dimensionl drawing:



Einbau / Montage / Installation:



Ansprechkurve* / Courbe de réponse* / Response diagram*:



Reduktionsfaktoren für Messplatte aus* / Coefficients de réduction pour cible en* / Correction factors for target of*:

Stahl FE 360	Kupfer	Aluminium	Messing	Edelstahl 1mm / 2mm dick
Acier FE 360 1.0	cuiivre 0.8	aluminium 1.0	laiton 1.3	acier INOX épaisseur 1mm / 2mm 0.4 / 0.6
Steel FE 360	copper	aluminum	brass	stainless steel 1mm / 2mm thick

Reduktionsfaktoren für bündigen Einbau in Träger aus* / Coefficients de réduction pour montage noyé dans support en* / Correction factors for embeddable mounting in support of*:

Stahl FE 360	Aluminium	Messing	Edelstahl
Acier FE 360 0.9	aluminium 0.8	laiton 0.8	acier INOX 0.9
Steel FE 360	aluminum	brass	stainless steel

article-no.: **IC300122**

Warning: Never use these articles in applications where the safety of a person depends on their functionality.