

VY000005

IO-Link master

- / USB IO-Link master
- / parameterization of devices and monitoring of process data
- / supported communication protocols: IO-Link, COM 1 (4.8kBit/s), COM 2 (38.4kBit/s), COM 3 (230kBit/s)
- / for operation with „VY000005_Software“
(port and device configuration tool)



easy and intuitive initial setup



Technical data

dimensions	67 x 41.3 x 24mm
output voltage (USB operation)	24V DC
output voltage (mains operation)	as input voltage
output current (USB operation)	≤ 65mA
output current (mains operation)	≤ 500mA
input voltage USB	5V DC
input current	≤ 500mA
input voltage external supply	24V DC (EN 60950)
input current external supply	≤ 600mA
short-circuit protection	+
IO-Link master transmission type	COM 1 / COM 2 / COM 3
IO-Link revision	1.1
number of ports	1
portclass	M12 / type A / female
ambient temperature	0 ... 55°C
protection class (EN 60529)	IP20
EMC Directive 2014/30/EU	DIN EN 61000-6-2 DIN EN 61000-6-3
RoHs Directive 2011/65/EU	fulfilled
weight (net)	0.064kg
material (housing)	aluminum, natural color anodized

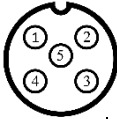

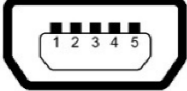
Display / diagnosis:

- Operational state: LED green, constantly lighting:
VY000005 ready to use, no IO-Link communication

- LED green, blinking (900ms on and 100ms off):
VY000005 ready to use, active IO-Link communication

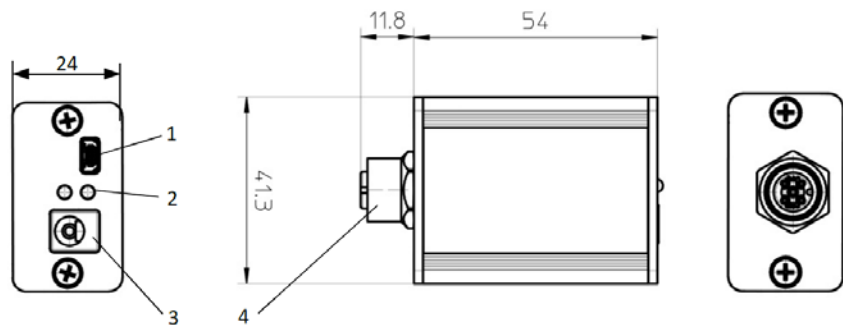
- LED red, permanently lighting (LED green off):
Device defect, please send to manufacturer

Connection

M12-socket	connector 24V	USB
1: +24V 2: not assigned 3: GND 4: IO-Link: CH1 (C/Q) 5: not assigned 		 1: +5V 2: D- 3: D+ 4: not assigned 5: GND

Control elements / dimensional drawing:

- 1: Mini USB
- 2: LED operational state / error display
- 3: 24V DC, Ø5.5 / 2.1mm
- 4: M12, type A, female



SAFETY WARNINGS

Before initial operation, please make sure to follow all safety instructions that may be provided in the product information!
 Never use these articles in applications where the safety of a person depends on their functionality.