

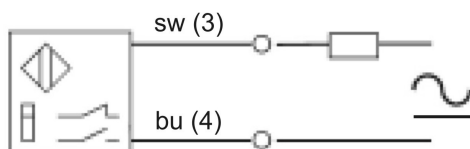
product: inductive sensors
flush

design: 40x40x120

technical data

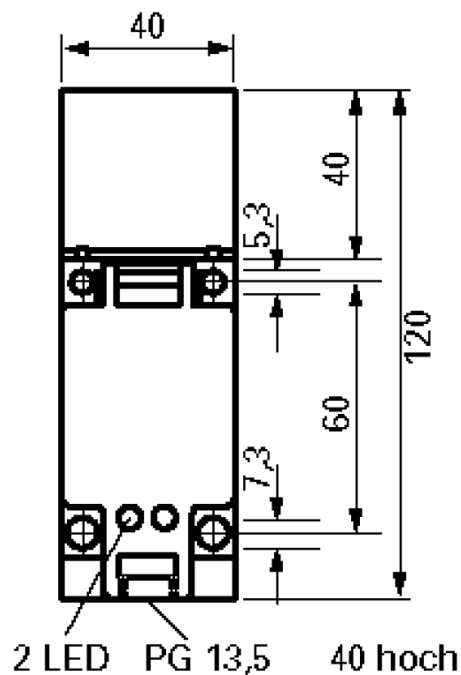
operating voltage U_B	20 ... 250V AC/DC
voltage drop (max. load)	$\leq 5V$
min. current consumption	2mA
current-carrying capacity	400mA
leakage current	$\leq 2mA$
nominal sensing range	20mm
hysteresis	15%
sampling frequency	15Hz
repeat accuracy	$\leq 10\%$
ambient temperature	-25 ... +70 °C
temperature drift	$\leq 10\%$
system of protection	IP67 (EN 60529)
EMC- standards	EN 60947-5-2
housing material	PA 6.6
status display	2 LED's
connection	terminals, max. 1.5mm ²

connection:



SW = black, bu = blue

drawing:



article-no.: IB 40 53 00

Warning: Never use these devices in applications where the safety of a person depends on their functionality.