


Product information

0906 UTP 203

Industrial Connecting Solutions:Cables and Adapters:T-connectors / adaptors:7/8", M23, RJ45/M12, D-Sub/M12 - T-connectors/adaptors:M23:T-connectors, M23-female on M23-male and M23-female connector:0906 UTP 203

<http://dev-catalog.beldensolutions.com/link/57078-24228-256254-57229-218891-218894-218898-219294/en/conf/uistate>

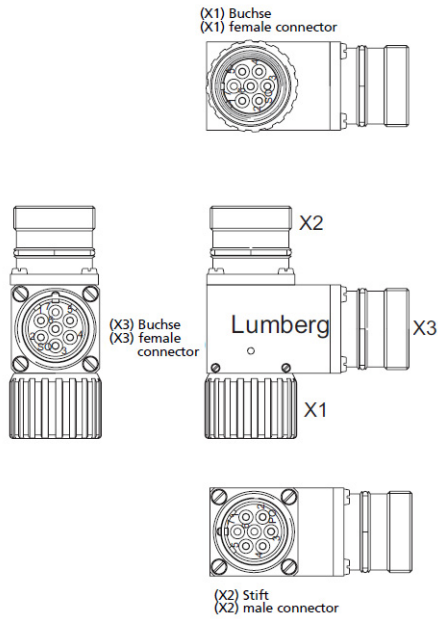
Name	0906 UTP 203
	
	T-connector for power supply with M23 male/female connector, 6 poles (especially suitable for the e2c 67 system to drag the power supply)
Delivery informations	
Availability	available
Product description	
Type	0906 UTP 203
Order No.	43940
Description	T-connector for power supply with M23 male/female connector, 6 poles (especially suitable for the e2c 67 system to drag the power supply)
Number of contacts	6
Color of housing	silver
Product characteristics	Vibration resistance, Oil resistance
Classification	
Belden brand	Lumberg-Automation
Environmental conditions	
Environmental temperature	-40 °C ... 125 °C
Degree of protection (IP), mounted	IP67
Pollution degree	3
Materials	
Housing material / Molded body	CuZn (Copper-Zinc alloy), GD-Zn (die casting part of zink)
Contact material - Surface refinement	nickel-plated
Electrical data	
Rated current In	UTP 203: 20 A - UTP 204: 8x8 A / 1x20 A
Nominal voltage	50 V DC

Industrial Connecting Solutions:Cables and Adapters:T-connectors / adaptors:7/8", M23, RJ45/M12, D-Sub/M12 - T-connectors/adaptors:M23:T-connectors, M23-female on M23-male and M23-female connector:0906 UTP 203

<http://dev-catalog.beldensolutions.com/link/57078-24228-256254-57229-218891-218894-218898-219294/en/conf/uiistate>

Picture

Drawing



Belden Deutschland GmbH
 Im Gewerbepark 2
 58579 Schalksmühle
 Germany
 Phone: +49 7127/14-1806
 E-Mail: icos-sales@belden.com

The information published in the websites has been compiled as carefully as possible. It is subject to alteration without notice in technical as well as in price-related/commercial respect. The complete information and data were available on user documentation. Mandatory information can only be obtained by a concrete query.