

## EM700123

### LED lights • Machine and bench lights

LED machine light, Ø70mm 1102mm length, white light, 48W, 5600K, 22-26V DC, -30-70°C, M12-connector 3-pin, IP67/IP69K, aluminum+hard glass



**No UV and IR radiation**  
**Front screen made of toughened safety glass**

The EM70 series is ideal for use in machine tools, CNC machines or for outdoor applications. Heat is dissipated via the extruded aluminum profile.

The front screen is made of 4 mm thick, impact-resistant single-pane safety glass.

The oil-resistant seals used ensure the high degree of protection. The lights can be installed directly in the operating range of machines or machining centers. They are chip-proof, vibration-proof and shock-proof, making them suitable for CNC applications throughout. Thanks to good thermal management, the LED light is also suitable for use in higher temperature ranges.

#### Electrical features

Type of plug-in contact	Male (connector)
Type of electrical connection	Connector M12
Power	48 W
Luminous flux	7596 lm
Number of pins	3
Protection class	III
Operating voltage (DC)	21,6 - 26,4 V
Adjustable brightness	via pulse width modulation
ardSOCA_ElektrischerAnschluss	M12 3-pin plug connector
ardTEEL_Lichtausbeute	155 lm/W
ardSOCA_Betriebsspannung	22-26VDC

#### Mechanical features

Design	Round
Diameter	70 mm
Length	1089 mm
Degree of protection (IP)	IP67 / IP69k
Front screen scattering behavior	diffuse
Housing material	Aluminum
Front screen material	Safety glass
Ambient temperature	-30 - 70 °C
ardSOCA_Abmessungen	Ø70mm, 1089mm long

**Optical features**

Color temperature	5600 K
Lamp	LED
Light source	White light
Angle of beam spread	100 °
Risk group	0

**Other features**

Harsh environmental conditions	Yes
--------------------------------	-----

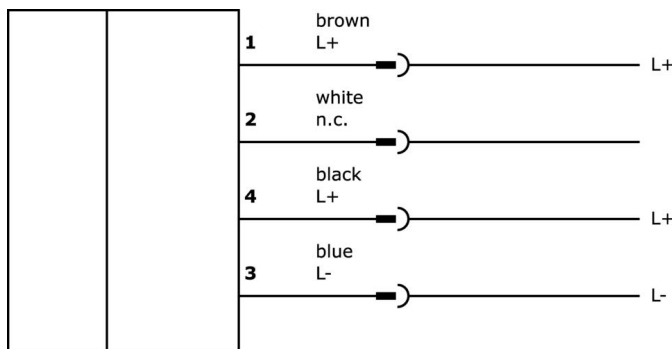
**Classification**

ETIM 8
--------

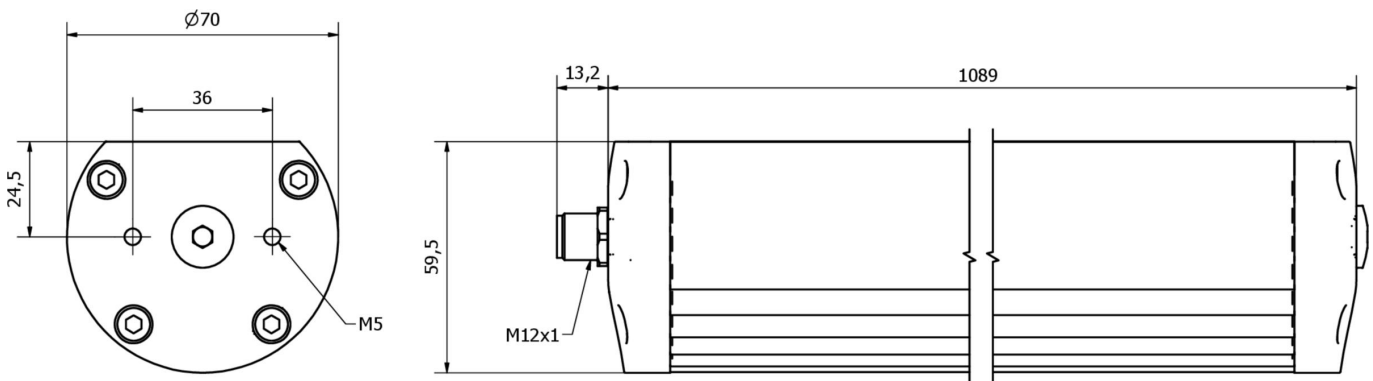
**More**

IPF Product Group	190 machine illuminations
packaging dimensions	117.5 x 140 x 135.5 mm
gross weight	3542 g
Customs tariff number	94054239
WEEE number	40951076
Reach-compliant	Yes
RoHS-compliant	Yes

**Connection**



**Dimensional drawing**



**Extract accessories program**

**VK003020**



Cable socket, angular, self-assembly, screw connection, Ø3-6.5mm, 4A, 240V, -25-90°C, M12 socket 4-pin, IP67, PBT

**VK003024**



Cable socket, Straight, Suitable for self-assembly, Screw connection, Ø3-6.5mm, 4A, 240V, -25-90°C, M12 Female (socket) 4pin, IP67, PBT

**VK200021**



Connection cable, 2m, M12 Female (socket) 3pin Angular, Free conductor end, 3x0.34mm², PUR (Polyurethane), Ø4.3mm, 250V, -30-90°C, IP67, Suitable for trailing chain and torsion resistant, Oil and cooling lubricants, Welding area, Silicone-free

**VK200025**



Connection cable, 2m, M12 Female (socket) 3pin Straight, Free conductor end, 3x0.34mm², PUR (Polyurethane), Ø4.3mm, 250V, -30-90°C, IP67, Suitable for trailing chain and torsion resistant, Oil and cooling lubricants, Welding area, Silicone-free

**VK030F21**



Connection cable, 0.3m, M12 socket 4-pin angular, M12 connector 4-pin straight, 4x0.34mm², 240V, IP67, suitable for trailing chain and torsion resistant, oils and cooling lubricants, welding area, silicone-free

**VK030F25**



Connection cable, 0.3m, M12 socket 4-pin straight, M12 connector 4-pin straight, 4x0.34mm², PUR (polyurethane), 240V, IP67, suitable for trailing chain and torsion resistant, oils and cooling lubricants, welding area, silicone-free

**AE000042**



Accessories for lights, mounting brackets, mounting material for EM70 lights, stainless steel, 90°

You can find further accessories on our homepage



**Installation**

Mounting / installation may only be carried out by a qualified electrician!



**Disposal**

WEEE number according to § 6 para. 3 ElektroG: 40951076

**Safety warnings**

**/** Before initial operation, please make sure to follow all safety instructions that may be provided in the product information.

**/** Never use these devices in applications where the safety of a person depends on their functionality.

**/** LED lighting systems can generate intensive UV radiation, which can damage your eyes in case of improper use. The manufacturer cannot be held responsible for damages that result from improper use or connection.