

AO000462

OPTICAL SENSORS • SWITCHING AMPLIFIERS



MECHANICAL DATA

Depth	142 mm
Device design	Field device
Height	130 mm
Housing design	Cuboid
Housing material	Aluminium
Length	142 mm
Mounting method	Floor fastening
Width	56 mm

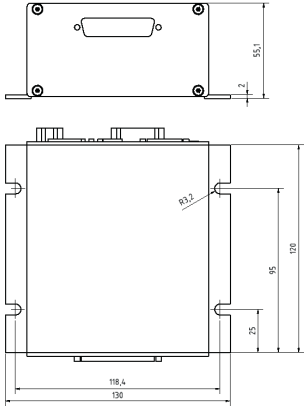
ELECTRICAL DATA

Malfunction message output	No
No-load current	5000 mA
Number of channels	4
Number of pins	6
Power consumption	120 W
Rated supply voltage at DC (MAX)	24 V
Rated supply voltage at DC (MIN)	12 V
Suitable for safety functions	No
Switching current	1 A
Switching voltage	30 V
Type of electrical connection	Clamp
Type of electrical output	D-Sub-13W3 connector
Type of voltage supply	Active
With communication interface, Ethernet	Yes
With communication interface, RS-232	Yes
With LED display	Yes

OTHER DATA

Operating temperature (MAX)	50 °C
Operating temperature (MIN)	-5 °C

DIMENSIONAL DRAWING



INSTALLATION



Mounting / Installation may only be carried out by a qualified electrician!

DISPOSAL



SAFETY WARNINGS

Before initial operation, please make sure to follow all safety instructions that may be provided in the product information!

LED lighting systems can generate very intense radiation, which, if used improperly, can possibly damage the eyes. For damage caused by improper use or connection, the manufacturer cannot be held responsible.

Never use these devices in applications where the safety of a person depends on their functionality.