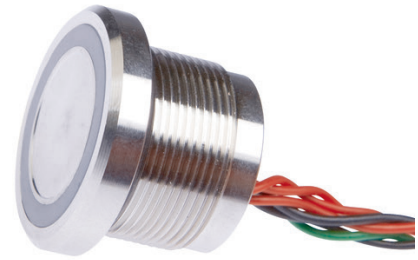


YM220100**MECHANICAL SENSORS • INTEGRATED BUTTON****MECHANICAL DATA**

Actuation force	6 N
Actuation force	2 N
Ambient temperature	-40 °C ... 75 °C
Button design	Flat
Cable length	500 mm
Degree of protection (IP)	IP68
Front ring color	Chrome
Front ring material	Metal
Hole diameter	22.5 mm
Housing design	Cylinder, screw-thread
Housing material	Stainless steel 1.4404
Lens design	Round
Max. tightening torque	1 Nm
Opening height	20 mm
Thread length	12 mm
Thread pitch	1 mm
Thread size, metric	22

ELECTRICAL DATA

Max. output current	200 mA
No-load current	20 mA
Number of contacts as normally open contact	1
Number of pins	6
Rated control supply voltage U_s at DC	24 V ... 24 V
Reverse polarity protection	Yes
Scanning	Yes
Short-circuit-proof	Yes
Suitable for illumination	Yes
Supply voltage of lamp	24 V
Switching function, latching	No
Type of electric connection	Single cores

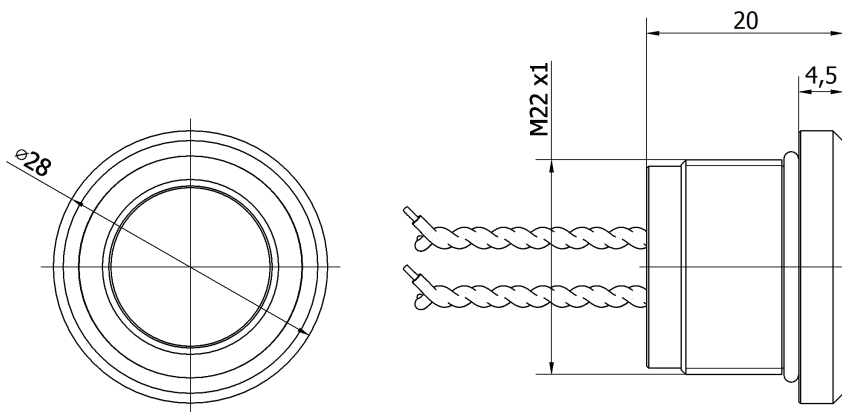
ELECTRICAL DATA

Type of switching function	Normally open contact
Type of switching output	Relay contact
Voltage drop	2.5 V
Voltage type	AC/DC
With LED display	Yes

OTHER DATA

With front ring	Yes
-----------------	-----

DIMENSIONAL DRAWING



INSTALLATION



Mounting / Installation may only be carried out by a qualified electrician!

DISPOSAL



SAFETY WARNINGS

Before initial operation, please make sure to follow all safety instructions that may be provided in the product information!