

## IN12E227

### INDUCTIVE SENSORS • ENLARGED AMBIENT TEMPERATURE

Inductive proximity switches are contact-free sensors. They detect all conductive metals, regardless of whether they move or not. The achievable sensing range of the devices depends on the object material and its dimensions. The vibration-resistant sensors can be approached laterally or frontally. Inductive proximity switches are used for presence detection (e.g. goods carriers), positioning (e.g. dampers), counting (e.g. nuts /bolts), speed detection (e.g. for cog wheels), on conveyor systems (e.g. hose feedings) or distance measurements (e.g. press-in checking) of metallic objects.



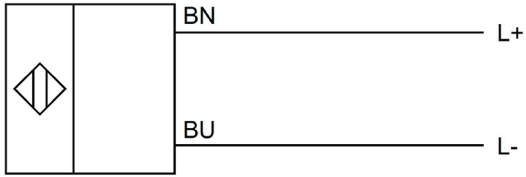
#### MECHANICAL DATA

Active area material of sensor	PEEK
Ambient temperature (MAX)	140 °C
Ambient temperature (MIN)	-25 °C
Cable length	5 m
Degree of protection (IP)	IP68
Housing design	Cylinder, screw-thread
Housing material	Stainless steel 1.4571
Increased ambient temperatures > 80°C	Yes
Material of cable sheath	FEP
Mechanical mounting condition for sensor	Non-flush
Pressure-proof	No
Sensor diameter	12 mm
Sensor length	66 mm
Thread length	44 mm
Thread pitch	1 mm
Thread size, metric	12
Wire cross section	0.34 mm <sup>2</sup>

#### ELECTRICAL DATA

Cascadable	No
Connection to amplifier	Yes
Max. output current	2.1 mA
Min. output current	1.2 mA
Suitable for safety functions	No
Switching distance	4 mm
Type of electrical connection	Cable
Type of switching function	Amplifier
Type of switching output	NAMUR
Voltage type	DC
With monitoring function of downstream devices	No

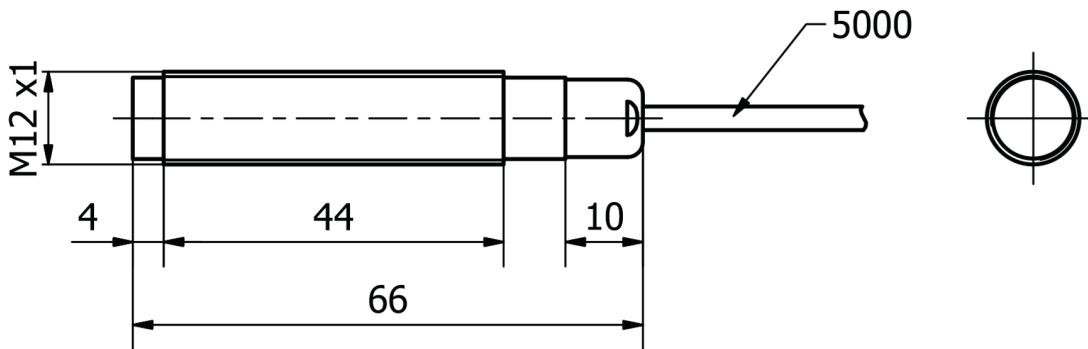
## CONNECTION



Colors: BN (brown), BU (blue)

Functions: BN = L+, BU = L-

## DIMENSIONAL DRAWING



## INSTALLATION



Mounting / Installation may only be carried out by a qualified electrician!

## DISPOSAL



## SAFETY WARNINGS

Before initial operation, please make sure to follow all safety instructions that may be provided in the product information!

Never use these devices in applications where the safety of a person depends on their functionality.