

C1090100

COUNTERS • PULSE COUNTERS

In industrial applications, counting, adding / subtracting of pulses, measuring paths or detecting times are common task areas. However, the use of a PLC is not worthwhile evaluating one or two sensors only. In this case, the multi-function encounters of ipf electronic are a good alternative. Various evaluation variants, amongst others frequency meters, sum counters, time relays, tachometers or wear / maintenance counters enable the use in a variety of applications. The batch counter or total sums function also make more complex tasks possible. The integrated front keypad can conveniently be used to program a pre-selection value or the signal evaluation mode for the operation of a linear measurement system or a rotary encoder.



MECHANICAL DATA

Ambient temperature (MAX)	60 °C
Ambient temperature (MIN)	-10 °C
Degree of protection (IP)	IP65
Height	24 mm
Housing material	Plastic
Installation depth	53.5 mm
Length	48 mm
Mounting method	Front mounting
Storage temperature	70 °C
Suitable for serial installation	No
Width	48 mm

ELECTRICAL DATA

Adding	Yes
Counting frequency	12 kHz
Display	LCD
Display range	9999999
Display range	-9999999
Input voltage (MAX)	28.8 V
Input voltage (MIN)	19.2 V
Max. npn input frequency	30 Hz
Max. pnp input frequency	12000 Hz
Number of pins	8
Operating voltage (MAX)	30 V
Operating voltage (MIN)	4 V
Primary voltage	24 V
Pulse counter	Yes
Rated control supply voltage U_s at DC (MAX)	30 V
Rated control supply voltage U_s at DC (MIN)	4 V
Subtracting	Yes
Type of electrical connection	Screw connection

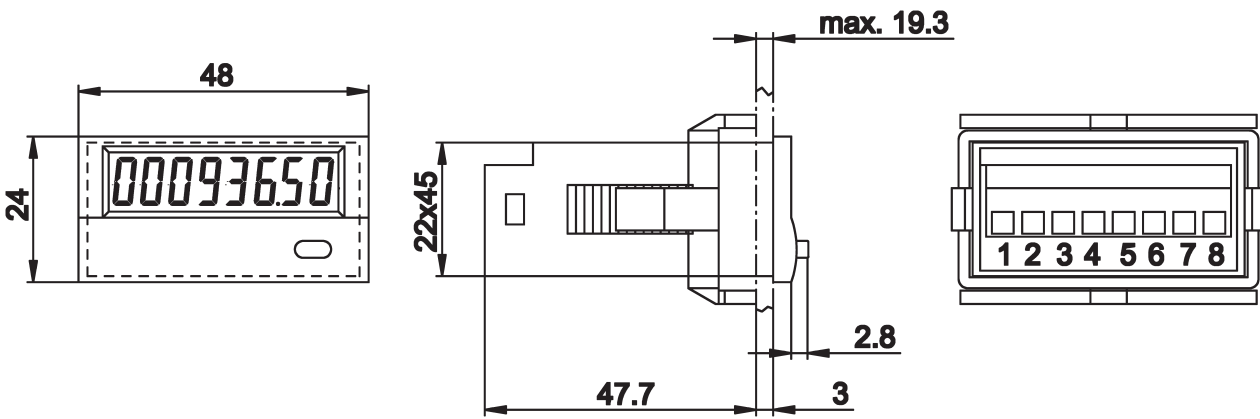
ELECTRICAL DATA

Type of signal input A	PNP/NPN
Type of signal input B	PNP/NPN
With reset function	Yes

OPTICAL DATA

Background lighting of LC display	Yes
-----------------------------------	-----

DIMENSIONAL DRAWING



INSTALLATION



Mounting / Installation may only be carried out by a qualified electrician!

DISPOSAL



SAFETY WARNINGS

Before initial operation, please make sure to follow all safety instructions that may be provided in the product information!

Never use these devices in applications where the safety of a person depends on their functionality.