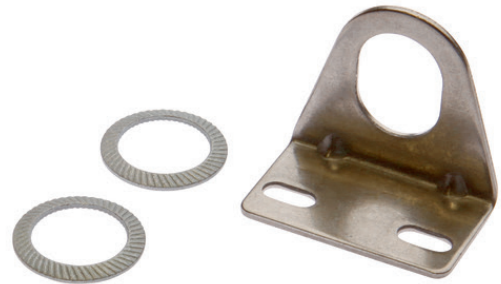


AY000100

ACCESSORIES • MOUNTING



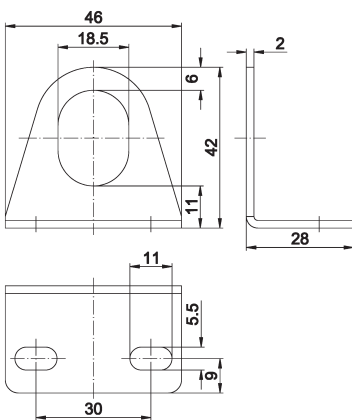
MECHANICAL DATA

Diameter/width of the fastening holes for sensor	6 mm
Height	42 mm
Length	26 mm
Material	Stainless steel
Mounting type	Screw
Number of oblong holes	3
Version	Mounting angle bracket
Weight	37 kg
Width	46 mm

OTHER DATA

Scope of delivery	Toothed washer for sensor, bracket
-------------------	------------------------------------

DIMENSIONAL DRAWING



INSTALLATION

DISPOSAL



Mounting / Installation may only be carried out by a qualified electrician!

**SAFETY WARNINGS**

Before initial operation, please make sure to follow all safety instructions that may be provided in the product information!

Never use these devices in applications where the safety of a person depends on their functionality.