

# LEO-S595-WB

## LoRaWAN Smart Button



### Features

- Support multiple press actions to control devices, trigger a scene or send emergency alarms
- Easily to install or carry with the convenient size
- Built-in LED indicator and buzzer for press actions, network status, low battery indication
- LoRaWAN technology for efficient long-range wireless data transmissions
- Equipped with NFC for easy configuration
- Function well with standard LoRaWAN® gateways and network servers

### Specifications

Frequency	US915/AU915/KR920/AS923/RU864/IN865/EU868/CN470
NFC	Y (Configuration)
LED	R/G
Button	1 x External Button 1 x Reset Button (Internal)
Button Function	Short press, long press, fast double tap press
Battery	1 x 1650 mAh battery (ER14335)
Battery Life	5 years (1080 min interval + 10 presses per day)*
Working Temperature	-30°C ~ 60°C
Working Humidity	0 ~ 90% (non-condensing) at 25°C (77°F)
Wireless Range	50 meters+ (Line of Sight)*
dimension	50 x 50 x 18 mm (1.97 x 1.97 x 0.71 in) Button: Ø20 mm (Ø0.79 in)
Weight (KG)	11g
IP	30
Certification	FCC, CE

\* Test under laboratory conditions and for guideline purposes only

### Ordering Information

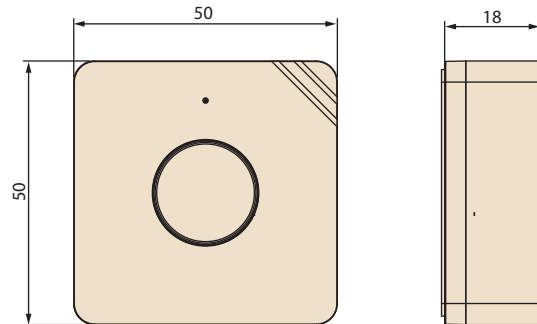
Part Number	Description
LEO-S595-WBG0	LEO-S LoRaWAN Smart Button 915
LEO-S595-WBC0	LEO-S LoRaWAN Smart Button 470
LEO-S595-WBE0	LEO-S LoRaWAN Smart Button 868

### Packing List

- 2 x Wall Mounting Kits
- 1 x 3M Double Side Tape

### Dimensions

Unit: mm



# USM-S67

## LoRaWAN Gateway



### Features

- Quad-core industrial processor with big memory
- Equip with SX1302 chip, handling a higher amount of traffic with lower consumption
- 8 half/full-duplex channels
- IP65 enclosure and industrial design for parts of outdoor environment applications like eaves
- Desktop, wall or pole mounting
- Multi backhaul backups with Ethernet and Wi-Fi
- Easy and centralized management of remote devices
- Enable security communication with multiple VPNs like IPsec/OpenVPN/L2TP/PPTP/DMVPN
- Built-in network server and MQTT/HTTP/HTTPS API for easily integration
- Embedded Python SDK for users secondary development
- Fast and user-friendly programming by Node-RED development tool

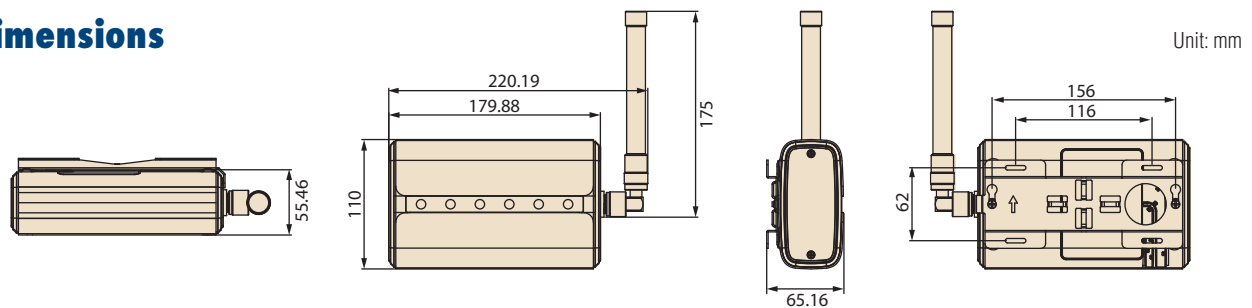
### Specifications

General	CPU	Quad-core 1.5 GHz, 64-bit ARM Cortex-A53
	Memory	512 MB DDR4
	Flash	8 GB eMMC
	LED Indicators	1 x POWER, 1 x STATUS, 1 x LoRa, 1 x Wi-Fi, 1 x Ethernet
LoRaWAN	Frequencny	US915/AU915/KR920/AS923/RU864/IN865/EU868/CN470
	Antenna	2 x Internal Antennas 1 x External Antenna
	Wireless Range	100 meters+ (Line of sight)**
	Connect Q'ty	Support up to 100 x LEO-S sensors*
Connectivity	Ethernet	10/100/1000 Base-T
	Wifi	IEEE 802.11 b/g/n, 2.4GHz
Others	Button	1 x Reset Button
	Power	1. DC Jack Connector for 9-24 V <sub>DC</sub> power supply 2. 1 x 802.3 af PoE input
	Working Temperature	-40 ~ 70°C (-40 ~ 158°F)
	Storage Temperature	-40 ~ 85°C (-40 ~ 185°F)
	Operating Humidity	0 ~ 95% (non-condensing) at 25°C (77°F)
	dimension	180 x 110 x 56.5 mm (7.09 x 4.33 x 2.22 in)
	IP	65
Certification	FCC, TELECOM, CE, KC, RCM, SIRIM, NBTC	

\* Dependent on usage scenario

\*\* Test under laboratory conditions and for guideline purposes onl

### Dimensions



### Ordering Information

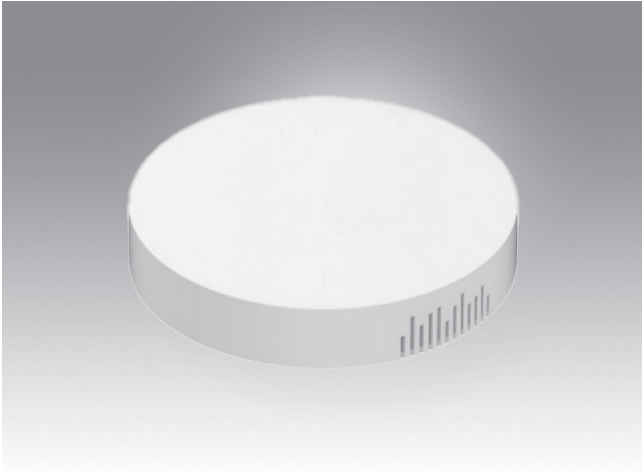
Part Number	Description
USM-S67-G0WPO	USM-S67 LoRaWAN & WIFI Gateway 915
USM-S67-C0WPO	USM-S67 LoRaWAN & WIFI Gateway 470
USM-S67-E0WPO	USM-S67 LoRaWAN & WIFI Gateway 868

### Packing List

- 1 x LAN Cable(1.5M)
- 1 x Adapter
- 1 x Mounting Bracket
- 2 x Mounting Kits
- 1 x LoRaWAN Antenna

# USM-S67

## LoRaWAN Compact Gateway



### Features

- Support 8 half/full-duplex channels
- Enable security communication with multiple VPNs( IPsec/OpenVPN/L2TP/PPTP/DMVPN)
- Detect and analyze the noise level and provide intuitive diagram for deployment
- Built-in network server and MQTT/HTTP/HTTPS API for easily integration

### Specifications

General	CPU	528 MHz, ARM Cortex-A7
	Memory	256 MB DDR4
	Flash	4 GB eMMC
	LED Indicators	1 x SYS, 1 x LoRa
LoRaWAN	Frequency	US915/AU915/KR920/AS923/CN470
	Antenna	2 x Internal Antennas
	Wireless Range	100 meters+ (Line of sight)**
	Connect Q'ty	Support up to 20 x LEO-S sensors*
Connectivity	Ethernet	10/100 Base-T
Others	Button	1 x Reset Button
	Power	1.802.3 af PoE input 2.5V/1A by Type-C Port
	Working Temperature	-20 ~ 50°C (-4 ~ 122°F)
	Storage Temperature	-40 ~ 85°C (-40 ~ 185°F)
	Operating Humidity	0 ~ 95% (non-condensing) at 25°C (77°F)
	dimension	Ø115 x 21 mm (Ø4.52 x 0.83 in)
	IP	30
Certification	FCC, TELEC, CE***	

\* Dependent on usage scenario

\*\* Test under laboratory conditions and for guideline purposes only

\*\*\*CE by project

### Ordering Information

Part Number	Description
USM-S67-G00P0	USM-S67 LoRaWAN Gateway 915
USM-S67-C00P0	USM-S67 LoRaWAN Gateway 470

### Packing List

- 2 x Mounting Kits

### Dimensions

Unit: mm

