




Product information CM 02 SD 14S

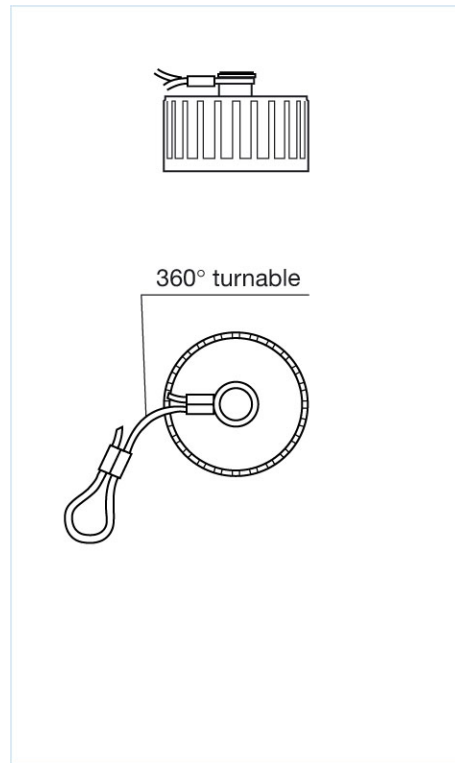
Industrial Connecting Solutions: Circular Connectors: MIL, DIN, Universal Connectors: MIL-C-5015 or VG 95342 Connectors (CM series): Accessories CM-series: CM 02 SD 14S

<http://dev-catalog.beldensolutions.com/link/57078-24228-256281-256284-24363-24366-36159/en/conf/ui/state>

Name	CM 02 SD 14S
	
	Cap for surface mounted connector
Delivery informations	
Availability	available
Product description	
Description	Cap for surface mounted connector
Type	CM 02 SD 14S
Order No.	831 620-100
Number of contacts	for 3, 4, 5, 6, 6 + PE
Housing Color	black
Technical data	
Type of termination	screw
Material	
Housing material	PA 66-GF 25
Environmental conditions	
Temperature range	-40 °C to +90 °C
Packing unit	
Packaging unit	100 pieces
Scope of delivery and accessories	
Scope of delivery	cap with internal thread, nylon loop
Accessories to order separately	can be plugged into CM 02 E 14S-..., CM 02 L 14S-...

Picture

Drawing



Belden Deutschland GmbH
Im Gewerbepark 2
58579 Schalksmühle
Germany
Phone: +49 7127/14-1806
E-Mail: icos-sales@belden.com

The information published in the websites has been compiled as carefully as possible. It is subject to alteration without notice in technical as well as in price-related/commercial respect. The complete information and data were available on user documentation. Mandatory information can only be obtained by a concrete query.