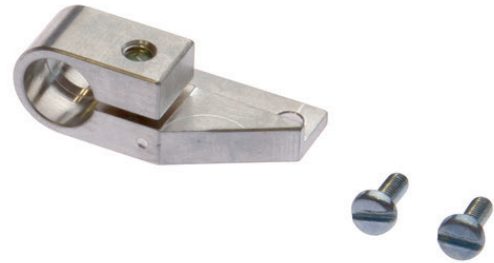


AY000059

ACCESSORIES • HOLDERS FOR STOP TAPPETS



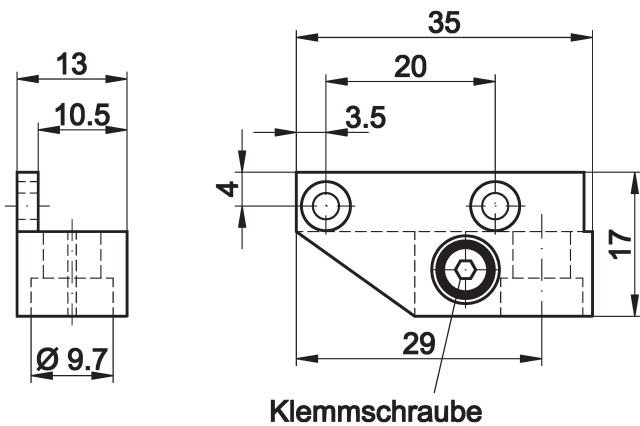
MECHANICAL DATA

| | |
|---------------------|------------------------|
| Height | 13 mm |
| Length | 35 mm |
| Material | Aluminium |
| Mounting type | Screw |
| Number of boreholes | 3 |
| Thread pitch | 0.5 mm |
| Thread size, metric | 3 |
| Version | Mounting angle bracket |
| Weight | 8 kg |
| Width | 17 mm |

OTHER DATA

| | |
|-------------------|--|
| Scope of delivery | Mounting material for sensor, brackets |
|-------------------|--|

DIMENSIONAL DRAWING



INSTALLATION

DISPOSAL



Mounting / Installation may only be carried out by a qualified electrician!



SAFETY WARNINGS

Before initial operation, please make sure to follow all safety instructions that may be provided in the product information!

Never use these devices in applications where the safety of a person depends on their functionality.