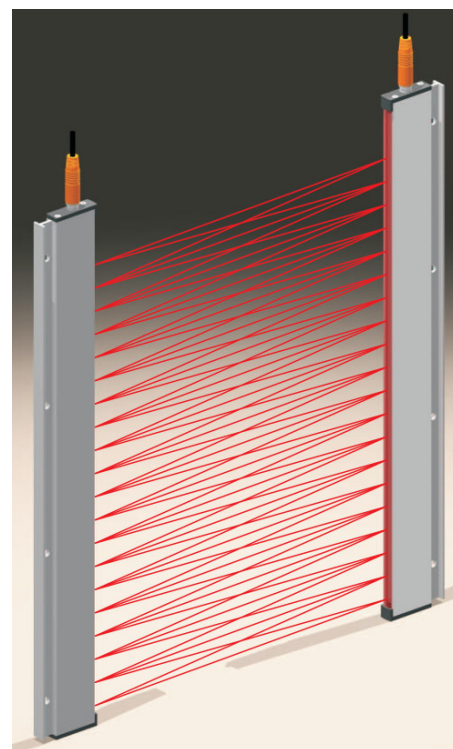


light curtains

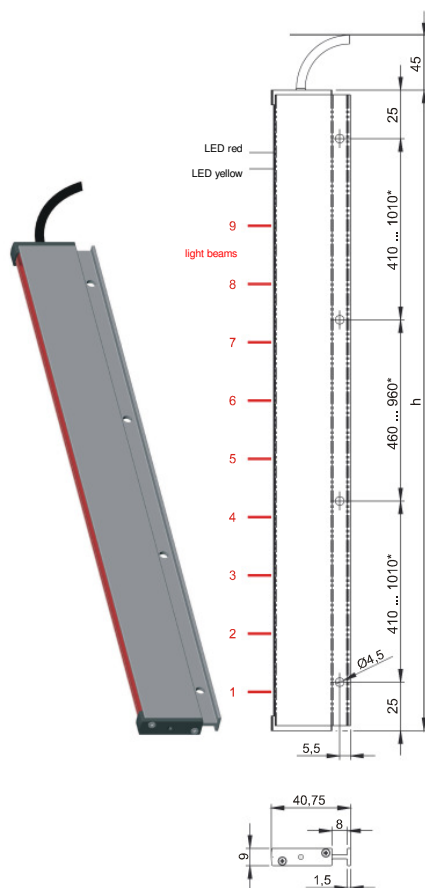
fully automatic light curtain for doors and gates

- flat design 9mm
- operating distance 5m (optional 10m)
- fully automatic, fast sensitivity adjustment with fuzzy logic
- integrated electronics
- high external light shielding
- short response time
- short-circuit and reverse polarity protection
- electronic relay output, wear resistant voltage-free, no/nc parameterizable
- test input
- turn-on or turn-off delay parameterizable
- system of protection IP54 (optional IP65)
- joint bar or bolt mounting
- lengths from 280 to 3030mm
- connection with 4-pin M8-connector

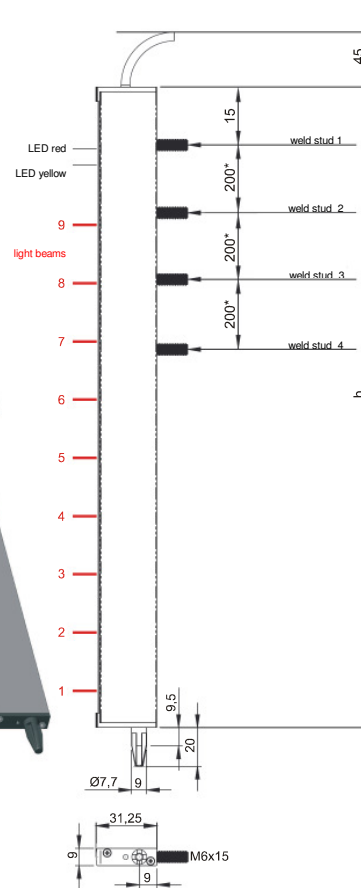


dimensional drawings

joint bar mounting



bolt mounting



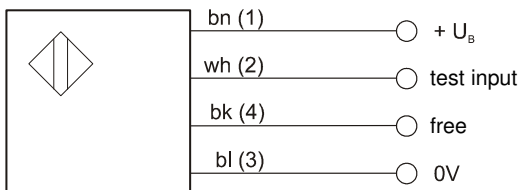
* measures depending on height h

technical data

nominal operating distance	5m (optional 10m)
operating voltage	10 ... 30V DC, residual ripple 10%
current consumption (w/o load)	max. 300mA at 64 channels
switching output	semiconductor relay, floating, no/nc parameterizable max. switching voltage 35V AC/DC max. switching current 150mA at 20°C, 100mA at 55°C
response time when parameterizing „cross beam“	optical path interrupts: 140msec, optical path free 220msec
response time when parameterizing „parallel beam“	optical path interrupts: 50msec, optical path free 72msec
stand-by time (power on)	300msec
mounting position	any
transmitting elements	LED, infrared, 880nm
pulse frequency of the light beams	91kHz
angle of beam spread	± 15°
external light shielding	200kLux at 20°
LED-raster	optional 20mm, 40mm, 60mm, 120mm
number of channels	max. 64 (raster 20mm and 40mm)
ambient temperature	-25 ... 55°C, no icing and condensation
ambient air humidity	35 ... 85%
system of protection (EN 60529)	IP54 (optional IP65)
housing material	aluminium, end parts plastic black
front screen	plastic red transparent
electric connection	M8-connector 4-pin

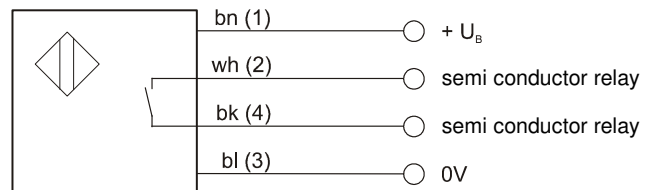
electric connection

transmitter



bn=brown, wh=white, bk= black, bl= blue
terminal markings of the cable sockets in clamps

receiver



bn=brown, wh=white, bk= black, bl= blue
terminal markings of the cable sockets in clamps

article-no.

