

**M12-Round-Plug Connector, Single-Ended Cordsets,
According to IEC 61076-2-101**

PRST

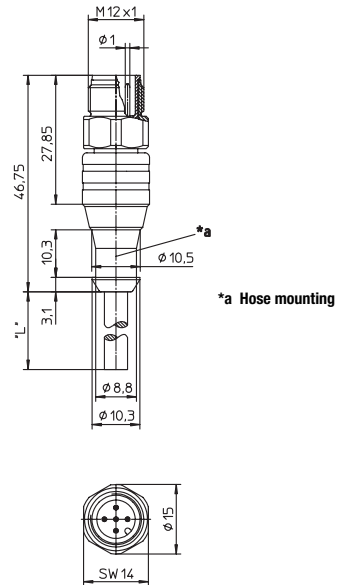


4-Poles (Stainless Steel)

Actuator/sensor cordset, single-ended, M12, 4-poles, male straight connector with threaded joint and molded cable, hexagon screw in stainless steel.

— especially designed for use in food processing equipment applications —

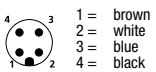
PRST



Pin Assignments

M12 - Male

4 poles





M12-Round-Plug Connector, Single-Ended Cordsets, According to IEC 61076-2-101 PRST

Technical Data

Environmental

Degree of protection IP 67 / IP 69K / NEMA 6P
 Operating temperature range -25°C (-13°F) / +70°C (+158°F)

Mechanical

Housing / Molded body TPU
 Insert TPU
 Contact CuSn, pre-nickel and 0.3 microns gold-plated
 Coupling nut stainless steel

Electrical

Contact resistance $\leq 5 \text{ m}\Omega$
 Nominal current at 40°C 4 A
 Nominal voltage 240 V
 Rated voltage 250 V
 Test voltage 2.0 kV eff. / 60 s
 Insulation resistance $> 10^9 \Omega$
 Pollution degree 3

Cable Specifications

Cable No.	Outer Jacket	Conductor Size	Jacket Color	OD
07	PVC	4 x 0.25 mm ²	Orange	.197" (5.0 mm)

Part Number	Pins	Outer Jacket	Standard Cable Lengths	Characteristics
PRST 4-07/...M	4	PVC	5 M / 10 M / 25 M	

